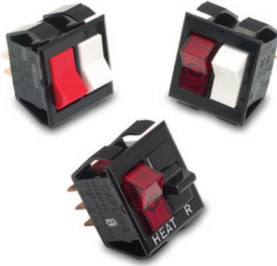


TTG-Series Rocker Switches



The TTG-Series Mini Tippette snap-in rocker switches consist of two single pole illuminated or non-illuminated switches in a common base. Each pole can have the same or different switch function. These switches are AC rated up to 20 amps and are also suitable for low-voltage DC applications, in a wide range of markets including Appliance, HVAC, Food service and Transportation.

Dielectric Strength

UL/CSA:
1000V - live to dead metal parts

Electrical Life

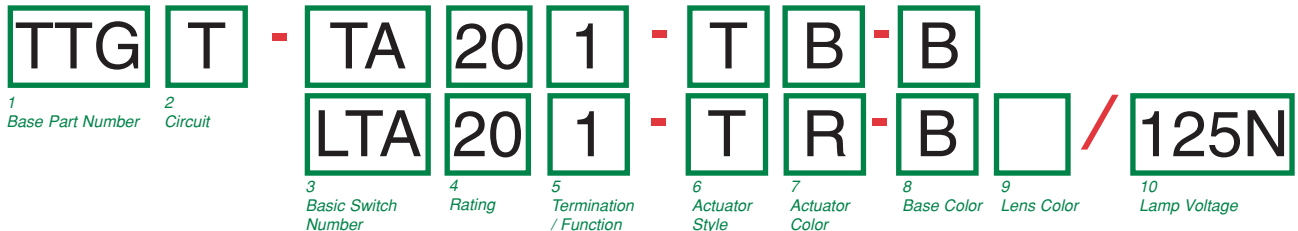
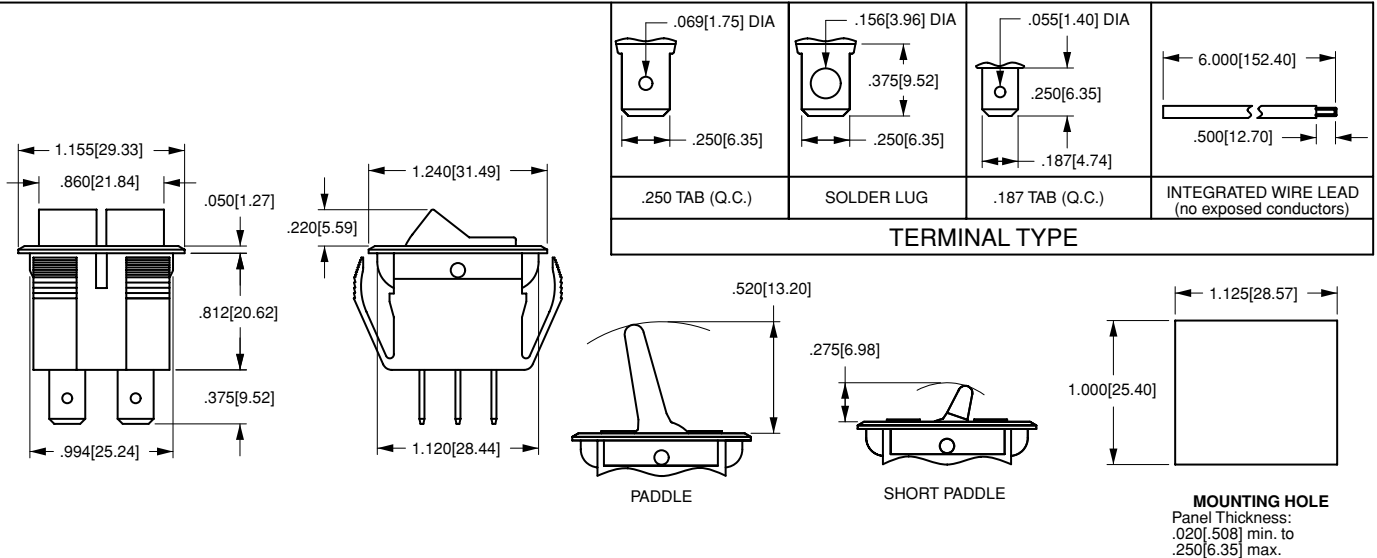
50,000 cycles- maintained
25,000 cycles- momentary

Mechanical Life

100,000 cycles

Operating Temperature

32°F to 150°F (0°C to +65.6°C)



<p>1 BASE PART NUMBER: SERIES' TTG Two Single Pole switches in one base</p>	<p>6 ACTUATOR STYLE PS short paddle P paddle T rocker</p>																																			
<p>2 CIRCUIT See Circuit Designation Chart Page 17.</p>	<p>7 ACTUATOR COLOR <i>unlighted</i>² B black W white <i>lighted</i>³ A amber C clear G green LU blue R red</p>																																			
<p>3 BASIC SWITCH NUMBER TA ON-NONE-OFF TC ON-OFF-ON TB ON-NONE-ON LTA ON-NONE-OFF, lighted</p>	<p>8 BASE COLOR² B black W white</p>																																			
<p>4 RATING 10 5A 250VAC, 10A 125VAC, 1/2HP 125-250VAC 11 5A 250VAC, 10A 125VAC, 5A 125VAC L 20 10A 250VAC, 15A 125VAC, 3/4HP 125-250VAC 21 10A 250VAC, 15A 125VAC 22 10A 250VAC, 15A 125VAC, 20A 125-250VAC H, 3/4HP 125-250VAC</p>	<p>9 LENS COLOR³ A amber G green R red C clear LU blue W white</p>																																			
<p>5 TERMINATION/FUNCTION</p> <table border="1"> <thead> <tr> <th></th> <th>solder lug</th> <th>.250 tab QC</th> <th>.187 tab QC</th> <th>wire leads</th> </tr> </thead> <tbody> <tr> <td>ON-NONE-OFF</td> <td>0</td> <td>1</td> <td>3</td> <td>5</td> </tr> <tr> <td>(ON)-NONE-OFF</td> <td>A</td> <td>B</td> <td>D</td> <td>F</td> </tr> <tr> <td>ON-NONE-(OFF)</td> <td>L</td> <td>M</td> <td>R</td> <td>T</td> </tr> <tr> <td>ON-NONE-ON</td> <td>0</td> <td>1</td> <td>3</td> <td>5</td> </tr> <tr> <td>ON-NONE-(ON)</td> <td>A</td> <td>B</td> <td>D</td> <td>F</td> </tr> <tr> <td>ON-OFF-ON</td> <td>0</td> <td>1</td> <td>3</td> <td>5</td> </tr> </tbody> </table>		solder lug	.250 tab QC	.187 tab QC	wire leads	ON-NONE-OFF	0	1	3	5	(ON)-NONE-OFF	A	B	D	F	ON-NONE-(OFF)	L	M	R	T	ON-NONE-ON	0	1	3	5	ON-NONE-(ON)	A	B	D	F	ON-OFF-ON	0	1	3	5	<p>10 LAMP VOLTAGE <i>incandescent</i> 6V 6 volt 12V 12 volt 18V 18 volt 24V 24 volt 28V 28 volt <i>neon</i>³ 125N 125 volt neon 250N 250 volt neon</p>
	solder lug	.250 tab QC	.187 tab QC	wire leads																																
ON-NONE-OFF	0	1	3	5																																
(ON)-NONE-OFF	A	B	D	F																																
ON-NONE-(OFF)	L	M	R	T																																
ON-NONE-ON	0	1	3	5																																
ON-NONE-(ON)	A	B	D	F																																
ON-OFF-ON	0	1	3	5																																

NOTES
Imprinting is available. Consult factory.
Panel Cut-Out Recommendations: For sheet metal panels, switch must enter panel in same direction as the punch. (Burr on bottom.) Test cut hole in actual material.
1 TTG available with circuits A,B,C,D,E,F,L,T,U.
2 Custom colors are available. Consult factory.
3 Specify lens color only if Basic Switch Number is LTA (lighted) with paddle actuator. If not, leave blank. Neon lamps (125V or 250V) not recommended with green or blue actuators and lenses.
4 Specify lamp voltage only if basic switch is LTA (lighted)
() Indicates momentary function.