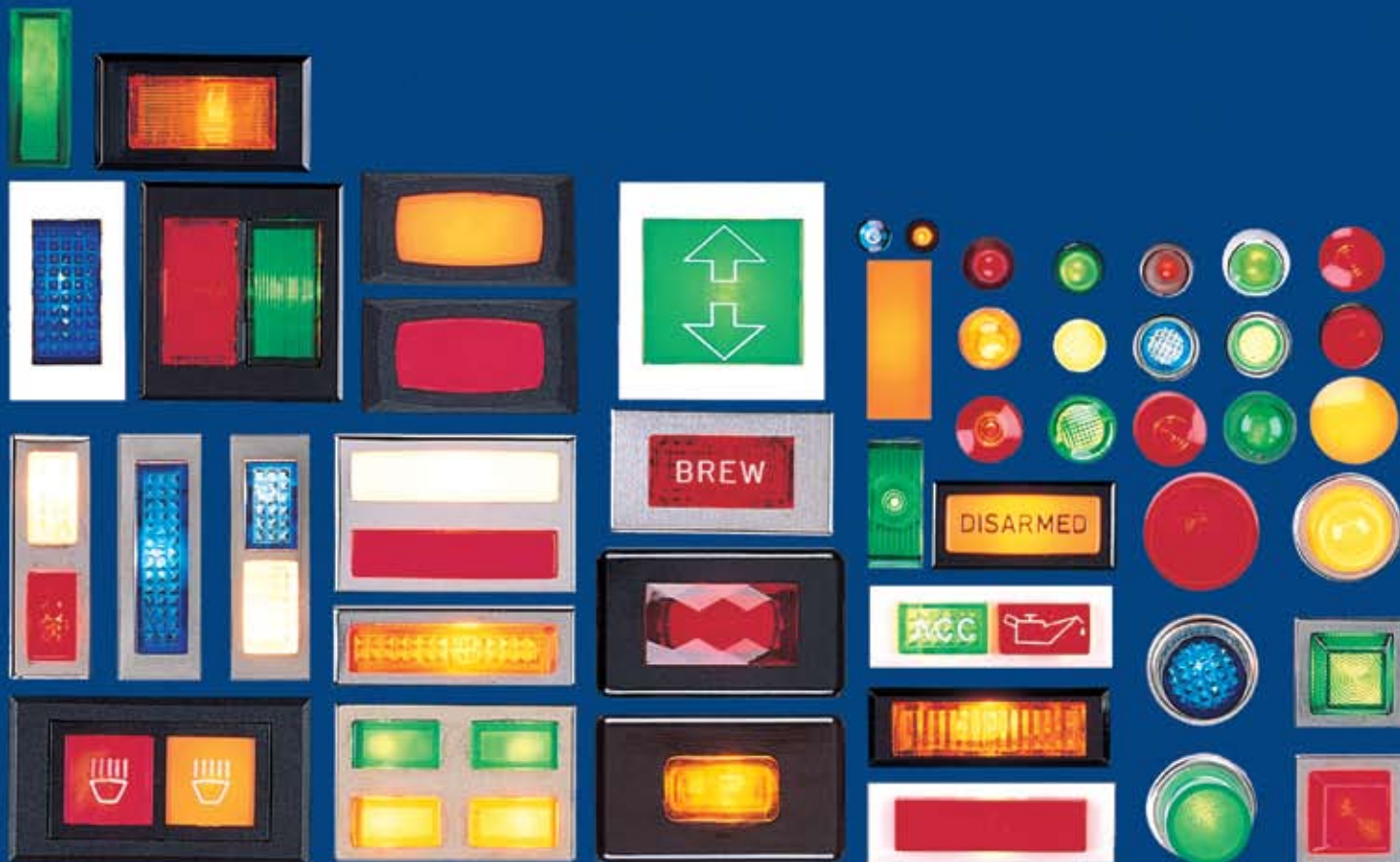




2009 INDICATOR CATALOG

New Products Located on Pages 21-25



PRODUCT SERIES	PAGE
Round Indicator Lights	
18, 21 & 24	2
19.....	4
22 & 23	3
28 & 29	6
30.....	7
31.....	8
35.....	5
65.....	9
43, 44 & 45	19
46 & 47	20
(NEW) 68.....	21
(NEW) KF	22
(NEW) KE	23
Rectangular Indicator Lights	
12.....	11
13.....	10
15.....	15
16 & 17	16
25, 26 & 27	17
32.....	13
33 & 34	14
36 & 37, 39 & 40.....	12
Speciality Products	
RF (Unsealed) Flex-Lite	24
RF (Sealed) Flex-Lite	25
Rear Mount Indicators	
10, 11 & 60	18
Additional Items	
LED Mounting Clips & Custom Assemblies.....	27

Technical Information 26-28

All SoLiCo products are RoHS

Agency Approvals: The majority of our indicators carry Agency approvals. Please contact us for the latest Agency information for the specific series and voltages you require.



SoLiCo Facilities:
 Hartford, Connecticut
 Brownsville, Texas
 Matehuala, Mexico

Catalog 12.10
 January 2009

UL Information
 File # E36730(M)

TUV Information
 EN:60598-1
 EN:60598-2-1

18, 21 & 24

- Press fits into 0.312" panel hole
- LED, incandescent, and neon illumination
- Three lens styles available

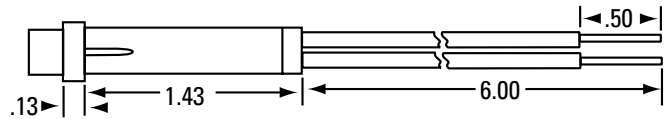
SPECIFICATIONS

Body Material:	Nylon	Wire Strip:	1/2"
Lens Material:	Polycarbonate	Terminals:	.187 QC
Bezel Material:	Brass (Plated)	Panel Thickness:	0.030" min
Wire Gauge:	18 ga.	Certifications:	See Page 1



18 Series

wire leads



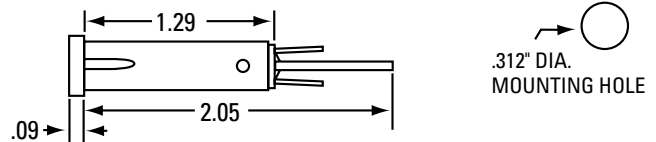
21 Series

wire leads



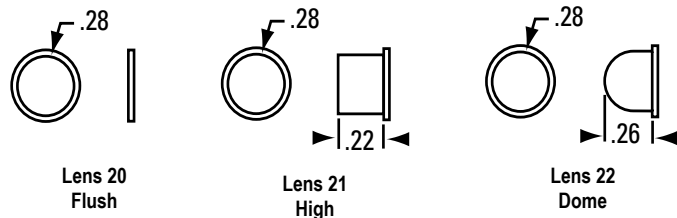
24 Series

tab terminals



Series	Lamp			Termination		Base		Bezel		Lens			
XX	XX	-	X	-	X	X	-	XXX	X	0			
	Voltage	Type	Code	Style	Code	Color	Code	Finish	Code	Style	Code	Color	Code
18	2	LED	10	6" Wire	1	White	1	None	0	Flush Translucent ^{3,5}	201	Red	1
21	6	LED	11	187 Tabs ⁶	3	Black	2	Chrome	2	Flush Diamond ⁵	203	Amber	2
24	14	LED	12	Special	X			Black	3	High Translucent ^{2,3}	211	Clear	3
	28	LED	13							High Rings ²	216	Green	4
	125 ¹	LED	15							Dome Translucent ^{2,3}	221	Blue	5
										Dome Rings ²	226	White	6
	6	INCAND	32										
	14	INCAND	35										
	28	INCAND	39										
	125	NEON	50										
	250	NEON	52										
		Special	XX										

White is Translucent
Clear is Transparent



ADDITIONAL OPTIONS AVAILABLE:

Contact Factory

1. Series 18 Only
2. Bezel Required
3. Translucent Lens is not recommended for use with LED
4. Specify LED Color if applicable
5. Components provided in leads when lens 20 is specified with lamp codes 11 through 15
6. Series 24 only

22, 23

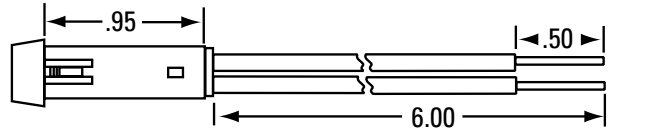
- Snap fits into 0.312" panel hole
- Body and lens are one piece design
- LED, incandescent and neon illumination

SPECIFICATIONS

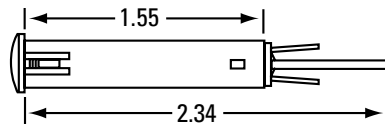
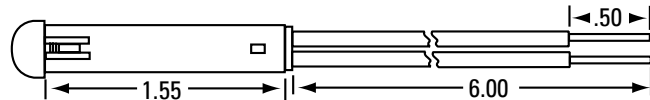
Body Material:	Polycarbonate	Wire Strip:	1/2"
Lens Material:	Polycarbonate	Panel Thickness:	0.025" to 0.060" min
Wire Gauge:	18 ga.	Certifications:	See Page 1



Series 23

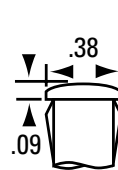


Series 22

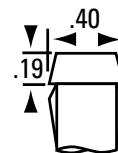


.312" DIA. MOUNTING HOLE

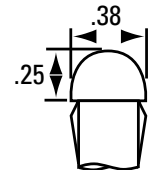
Series	Lamp		Termination		Base		Bezel		Lens				
XX	XX	-	X	-	X	X	-	XXX	X	0			
	Voltage	Type	Code	Style	Code	Color	Code	Finish	Code	Style	Code	Color	Code
22	2	LED	10	6" Wire	1	N/A	0	None	0	Semi-Dome Diamonds	343	Red	1
23 ²	6	LED	11	187 Tabs ⁶	3					Cylinder Rings	356	Amber	2
	14	LED	12	Special	X					Dome Plain	362	Clear ¹	3
	28	LED	13									Green	4
	125 ⁴	LED	15									Blue	5
	6	INCAND	32										
	14	INCAND	35										
	28	INCAND	39										
	125	NEON	50										
	250	NEON	52										
	Special		XX										



Lens 34



Lens 35



Lens 36

ADDITIONAL OPTIONS AVAILABLE:

Contact Factory

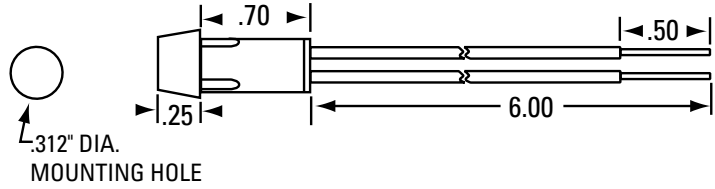
1. Specify LED color if applicable
2. Components provided in leads when Series 23 is specified with lamp codes 11 through 13
3. Available with LED (2V) and incandescent lamps only, contact factory for additional information.
4. Available with Wire Leads only.

19

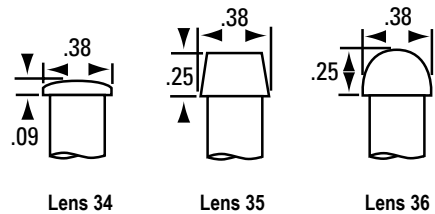
- Press fits into 0.312" panel hole
- Body and lens are one piece design
- LED, incandescent and neon illumination

SPECIFICATIONS

Body Material:	Polycarbonate	Wire Strip:	1/2"
Lens Material:	Polycarbonate	Panel Thickness:	0.030" min
Wire Gauge:	22 ga.	Certifications:	See Page 1



Series		Lamp		Termination		Base		Bezel		Lens			
XX		XX		X		X		X		XXX			
19	Voltage	Type	Code	Style	Code	Color	Code	Finish	Code	Style	Code	Color	Code
	2	LED	10	6" Wire	1	N/A	0	None	0	Semi-Dome	342	Red	1
	6	LED	11	Special	X					Cylinder	352	Amber	2
	14	LED	12							Dome	362	Clear ¹	3
	28	LED	13									Green	4
												Blue	5
	6	INCAND	32										
	14	INCAND	35										
	28	INCAND	39										
	125	NEON	50										
	250	NEON	52										
		Special	XX										



ADDITIONAL OPTIONS AVAILABLE:

Contact Factory

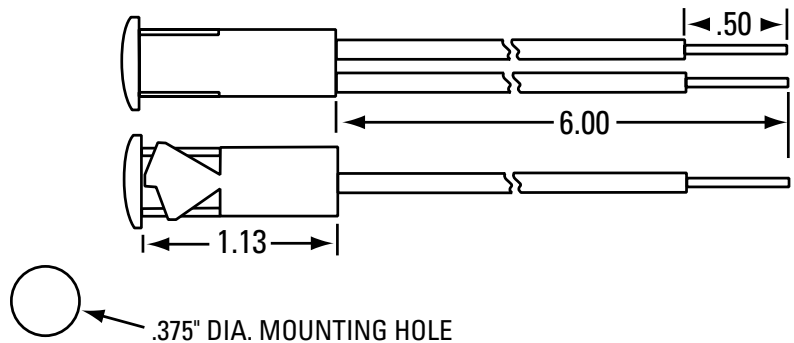
1. Specify LED color if applicable

35

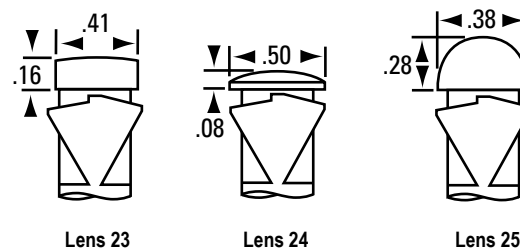
- Snap fits into 0.375" panel hole
- Body and lens are one piece design
- LED, incandescent, and neon illumination
- Three lens styles available
- Splashproof

SPECIFICATIONS

Body Material:	Polycarbonate	Wire Strip:	1/2"
Lens Material:	Polycarbonate	Panel Thickness:	0.032" to 0.094"
Wire Gauge:	20 ga.	Certifications:	See Page 1



Series	Lamp			Termination		Base		Bezel		Lens			
XX	XX	-	X	-	X	-	XXX	X	-	XXX	X	0	
35	Voltage	Type	Code	Style	Code	Color	Code	Finish	Code	Style	Code	Color	Code
	2	LED	10	6" Wire	1	N/A	0	None	0	Cylinder Rings	236	Red	1
	6	LED	11	Special	X					Semi-Dome Rings	246	Amber	2
	14	LED	12							Dome Plain	252	Clear ¹	3
	28	LED	13									Green	4
	125	LED ²	15									Blue	5
	250	LED ²	16										
	6	INCAND	32										
	14	INCAND	35										
	28	INCAND	39										
	125	NEON	50										
	250	NEON	52										
		Special	XX										



ADDITIONAL OPTIONS AVAILABLE:

Contact Factory

1. Specify LED Color if applicable
2. Requires components in wire leads

28 & 29

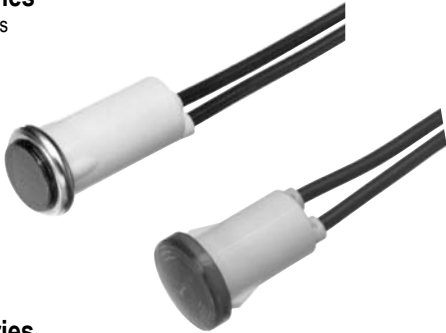
- Fits into 0.500" panel hole
- LED, incandescent, and neon illumination
- Many lens styles available

SPECIFICATIONS

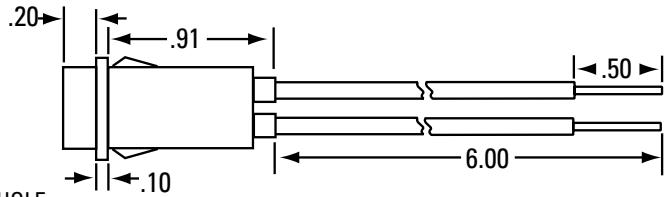
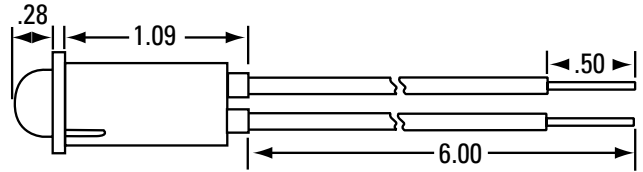
Body Material:	Nylon	Wire Gauge:	18 ga.
Lens Material:	Polycarbonate	Wire Strip:	1/2"
Bezel Material:	Stainless Steel or Plated Brass	Panel Thickness:	0.030" to 0.0903
		Certifications:	See Page 1

28 Series

wire leads



28 with 40 lens

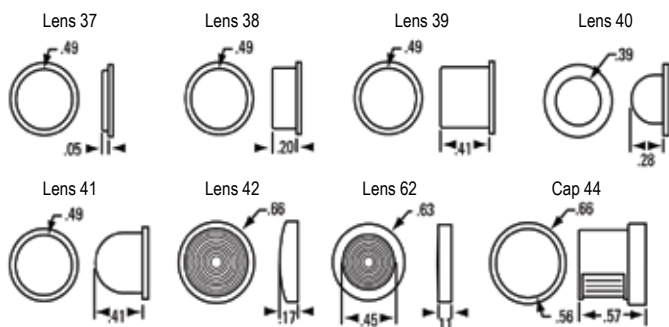


29 Series

wire leads



Series	Lamp		Termination		Base		Bezel		Lens				
XX	XX		-	X	-	X	X	-	XXX		X	0	
28 29	Voltage	Type	Code	Style	Code	Color	Code	Finish	Code	Style	Code	Color	Plain
28	2	LED	10	6" Wire	1	White	1	None	0	.09 Cylinder Translucent ^{1,4}	371	Red	1
29	6	LED	11	Special	X	Black	2	Stainless Chrome Black	1 2 3	.09 Cylinder Diamond ⁴ .09 Cylinder Rings ⁴ .25 Cylinder Translucent ^{1,4}	373 376 381	Amber Clear ² Green	2 3 4
28	14	LED	12							.25 Cylinder Diamond ⁴ .25 Cylinder Rings ⁴ .46 Cylinder Translucent ^{1,4}	383 386 391	Blue White	5 6
28	28	LED	13							.46 Cylinder Diamond ⁴ .46 Cylinder Rings ⁴ Small Dome Translucent ^{1,4}	393 396 401	Green Blue Red	4 5 A
28	6	INCAND	32							Small Dome Lines ⁴ Large Dome Translucent ^{1,4} Large Dome Rings ⁴ Semi Dome Translucent ^{1,5} Semi Dome Rings ⁵ Flush Lens w/Tapered Bezel ^{3,4}	391 399 405 411 416 421 426 626	White Amber Clear ² Green Blue White	6 C D E F
28	14	INCAND	35							Cap, Black (F1C) Translucent ⁵ Cap, Black (F1C) Transparent ⁵	441 443		
28	250	NEON	52										
28	Special		XX										



White is Translucent
Clear is Transparent

ADDITIONAL OPTIONS AVAILABLE:

Contact Factory

1. Translucent Lens is not recommended for use with LED
2. Specify LED Color if applicable
3. Polished Bezel only use code 2
4. Bezel required
5. Bezel not available

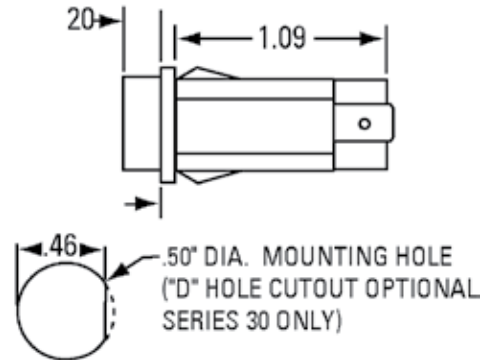
30

- Fits into 0.500" panel hole
- LED, incandescent, and neon illumination
- Many lens styles available

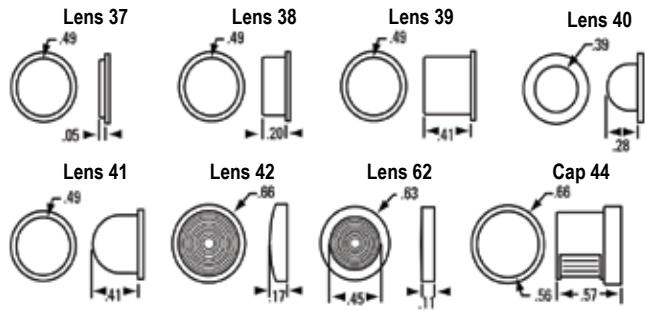
SPECIFICATIONS

Body Material:	Nylon	Panel Thickness:	0.030" to 0.0903
Lens Material:	Polycarbonate	Certifications:	See Page 1
Bezel Material:	Stainless Steel or Plated Brass		

30 with 43 lens



Series		Lamp			Termination		Base		Bezel		Lens			
XX		XX		-	X		-	X		-	XXX		X	0
30	Voltage	Type	Code	Style	Code	Color	Code	Finish	Code	Style	Code	Color	Plain	
	2	LED	10	.187 Tabs	3	White	1	None	0	.09 Cylinder Translucent ^{1,4}	371	Red	1	
	6	LED	11	.250 Tabs	4	Black	2	Stainless	1	.09 Cylinder Diamond ⁴	373	Amber	2	
	14	LED	12					Chrome	2	.09 Cylinder Rings ⁴	376	Clear ²	3	
	28	LED	13					Black	3	.25 Cylinder Translucent ^{1,4}	381	Green	4	
										.25 Cylinder Diamond ⁴	383	Blue	5	
	6	INCAND	32							.25 Cylinder Rings ⁴	386	White	6	
	14	INCAND	35							.46 Cylinder Translucent ^{1,4}	391			
	28	INCAND	39							.46 Cylinder Diamond ⁴	393			
										.46 Cylinder Rings ⁴	396	Color	Marked	
	125	NEON	50							Small Dome Translucent ^{1,4}	401	Red	A	
	250	NEON	52							Small Dome Lines ⁴	405	Amber	B	
		Special	XX							Large Dome Translucent ^{1,4}	411	Clear ²	C	
										Large Dome Rings ⁴	416	Green	D	
										Semi Dome Translucent ^{1,5}	421	Blue	E	
										Semi Dome Rings ⁵	426	White	F	
										Flush Lens w/Tapered Bezel ^{3,4}	626			
										Cap, Black (F1C) Translucent ⁵	441			
										Cap, Black (F1C) Transparent ⁵	443			



White is Translucent
Clear is Transparent

ADDITIONAL OPTIONS AVAILABLE:

Contact Factory

1. Translucent Lens is not recommended for use with LED
2. Specify LED Color if applicable
3. Polished Bezel only use code 2
4. Bezel required
5. Bezel not available

31

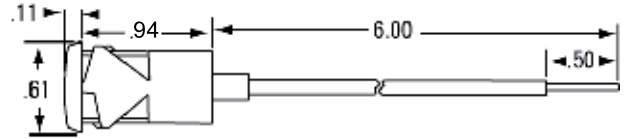
- Snap fits into 0.50" panel hole
- Body and lens are one piece design
- LED, incandescent, and neon illumination
- Splashproof

SPECIFICATIONS

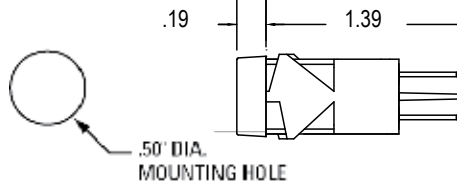
Body Material:	Polycarbonate	Wire Strip:	1/2"
Lens Material:	Polycarbonate	Panel Thickness:	0.040" to 0.110"
Wire Gauge:	20 ga.	Certifications:	See Page 1



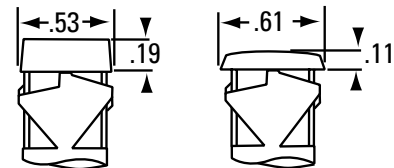
31 with 57 lens



31 with 59 lens



Series	Lamp			Termination		Base		Bezel		Lens				
XX	XX			-		X		-		XXX		X		0
31	<u>Voltage</u>	<u>Type</u>	<u>Code</u>	<u>Style</u>	<u>Code</u>	<u>Color</u>	<u>Code</u>	<u>Finish</u>	<u>Code</u>	<u>Style</u>	<u>Code</u>	<u>Color</u>	<u>Code</u>	
	2	LED	10	6" Wire	1	N/A	0	None	0	Semi-Dome Rings	576	Red	1	
	6	LED	11	.187 Tabs	3			Chrome ²	1	Semi-Dome Rings w/ Bezel	586	Amber	2	
	14	LED	12	.250 Tabs	4					Cylinder Rings	596	Clear ¹	3	
	28	LED	13	Special	X							Green	4	
	6	INCAND	32									Blue	5	
	14	INCAND	35											
	28	INCAND	39											
	125	NEON	50											
	250	NEON	52											
		Special	XX											



Lens 59

Lens 57 & 58

ADDITIONAL OPTIONS AVAILABLE:

Contact Factory

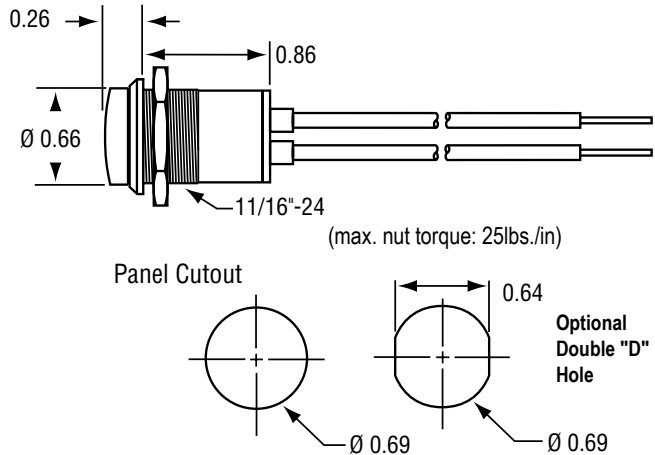
1. Specify LED Color if applicable
2. Available with lens 58 only

65

- Threaded mount
- LED cluster lighting
- Daylight visible
- Splashproof design
- Supplied w/ hex nut, lockwasher, and gasket

SPECIFICATIONS

Body Material:	Nylon	Wire Strip:	1/2"
Lens Material:	Polycarbonate	Panel Thickness:	0.050" to 0.25"
Wire Gauge:	20 ga.	Certifications:	See Page 1

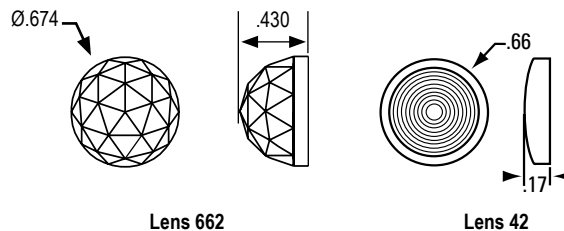


Series	Lamp			Termination		Base		Bezel		Lens			
XX	XX	-	X	-	X	X	-	XXX	X	0			
65	Voltage	Type	Code	Style	Code	Color	Code	Finish	Code	Style	Code	Color	Code
	14	LED	12	6" Wire	1	White	1	None	0	Semi-Dome Translucent	421	Red	1
	28	LED	13	.187 Tabs	3	Black	2			Semi-Dome Rings	426	Amber	2
	125	LED	15 ¹	.250 Tabs	4					Semi-Dome Rings w/ Diffuser	42A	Clear ¹	3 ^{2,3}
										Faceted Dome Translucent ⁶	661	Green	4
										Faceted Dome	662	Blue	5
										Faceted Dome w/ Diffuser	66A	White	6 ⁴
												Yellow	8 ⁵

White is Translucent
Clear is Transparent

LED Light Output (mcd)

Red	10k typ.
Green	15k typ.
Blue	7k typ.
White	12k typ.
Yellow	8k typ.



ADDITIONAL OPTIONS AVAILABLE:

Contact Factory

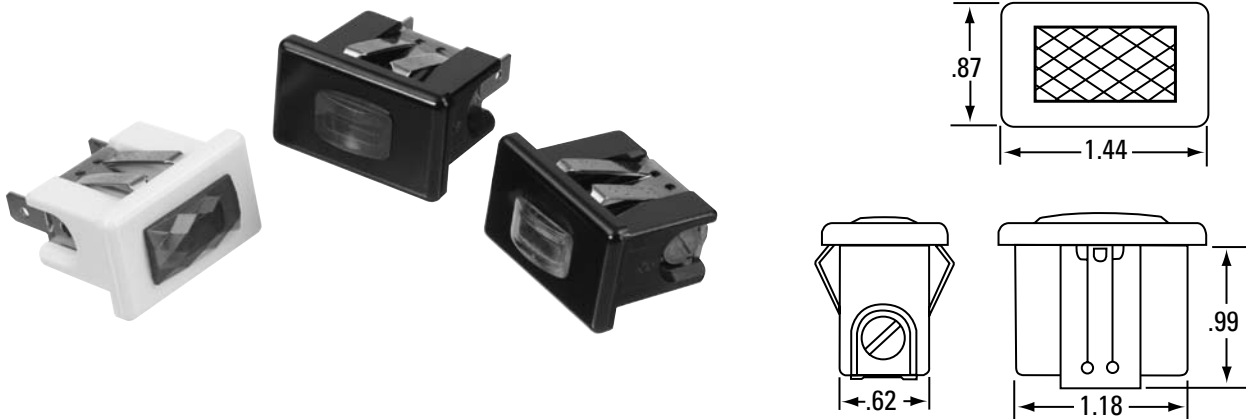
1. Reduced Intensity
2. Transparent
3. Specify LED color for clear lens
4. Translucent only
5. Lens 42 only
6. White Only

13

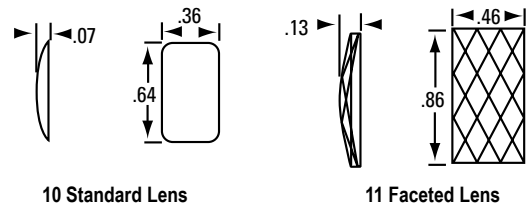
- Snap fits into 1.200" x .640" panel cutout
- Neon & incandescent illumination
- Two lens styles available
- Suggested for High Temperature applications
- Two termination styles available

SPECIFICATIONS

Body Material: Phenolic
 Lens Material: Polycarbonate
 Panel Thickness: 0.045" to 0.065"
 Certifications: See Page 1



Series	Lamp			Termination		Base		Bezel		Lens			
XX	XX			X		X		X		XXX		X 0	
13	Voltage	Type	Code	Style	Code	Color	Code	Finish	Code	Style	Code	Color	Code
	6	LED	32	.250 Tabs	4	White	1	None	0	Standard Plain	102	Red	1
	14	LED	35	Screws	6	Black	2			Faceted Plain	112	Amber	2
	28	LED	39			Brown	3					Clear	3
	125	NEON	50									Green	4
	250	NEON	52									Blue	5
		Special	XX										



ADDITIONAL OPTIONS AVAILABLE:

Contact Factory

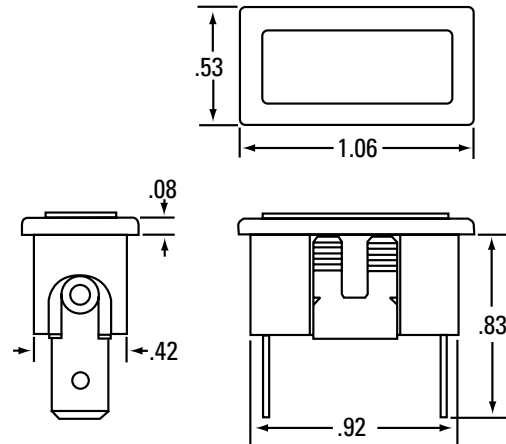
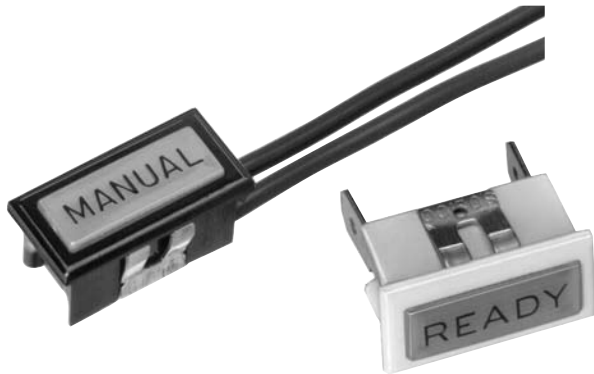
12

- Snap fits into 0.940" x 0.440" panel cutout
- Incandescent and neon illumination
- Dummy (hole plugs) available

SPECIFICATIONS

Body Material: Polycarbonate
 Lens Material: Polycarbonate
 Wire Gauge: 18 ga.

Panel Thickness: 0.031" to 0.093"
 Certifications: See Page 1



Series	Lamp			Termination		Base		Bezel		Lens				
XX	XX	-	X	-	X	X	-	XXX	X	0				
12	Voltage	Type	Code	Style	Code	Color	Code	Finish	Code	Style	Code	Color	Plain	
	N/A	DUMMY	00	N/A	0	White	1	None	0	Rectangular Translucent	471	Red	1	
	6	INCAND	32	6" Wire	1	Black	2	Black ¹	3	Rectangular Diamond	473	Amber	2	
	14	INCAND	35	.187 Tabs	3							Clear	3	
	28	INCAND	39	.250 Tabs	4							Green	4	
				Special	X							Blue	5	
	125	NEON	50									White	6	
	250	NEON	52									Black	7	
		Special	XX									Color	Marked	
												Red	A	
												Amber	B	
												Clear	C	
												Green	D	
												Blue	E	
												White	F	

White is Translucent
 Clear is Transparent

ADDITIONAL OPTIONS AVAILABLE:

Contact Factory

1. Metal Bezel

36, 37, 39, 40

Contact Factory:

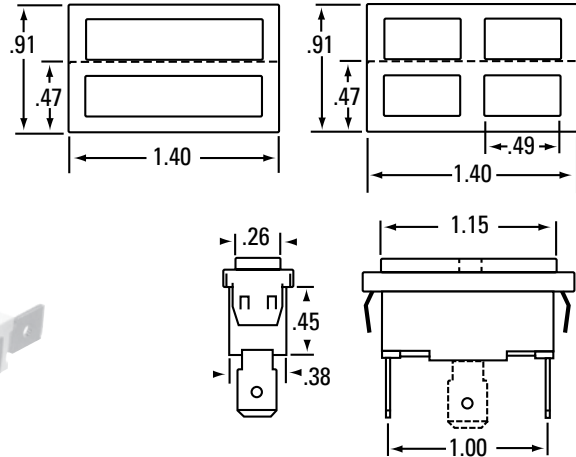
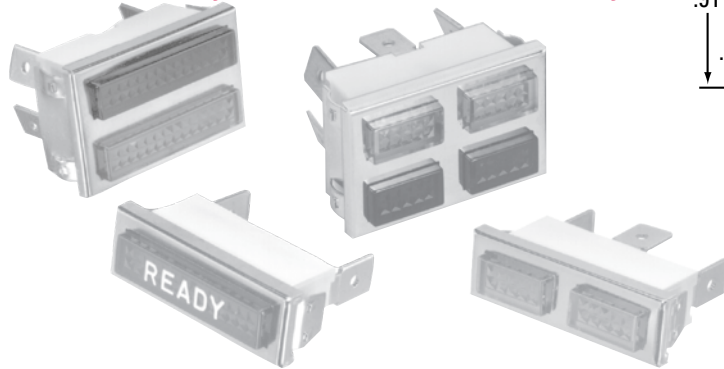
To be discontinued; limited availability

SPECIFICATIONS

Body Material:	Nylon	Wire Gauge:	18 ga.
Lens Material:	Polycarbonate	Panel Thickness:	0.030" to 0.090"
Bezel Material:	Plated Steel	Certifications:	See Page 1

37 Contact Factory

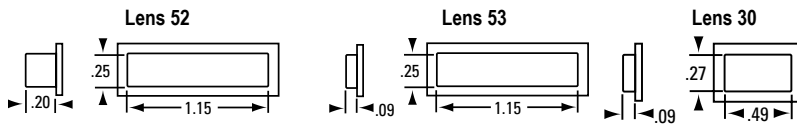
40 Contact Factory



36 Discontinued

39 Discontinued

Series	Lamp		Termination		Base		Bezel		Lens				
XX	XX	-	X	-	X	X	-	XXX	X	X			
	Voltage	Type	Code	Style	Code	Color	Code	Finish	Code	Style	Code	Color	Plain
36	6	INCAND	32	6" Wire	1	White	1	Chrome	2	36 & 37 Series Lenses High Translucent High Diamond Low Translucent Low Plain Low Diamond Low Frost	521	Red	1
37	14	INCAND	35	.187 Tabs	3			Black	3		523	Amber	2
39	28	INCAND	39	.250 Tabs	4						531	Green	4
40				Solder	5						532	Blue	5
	125	NEON	50	Special	X						533	White	6
	250	NEON	52								534	White	6
		Special	XX							39 & 40 Series Lenses Low Translucent Low Diamond Low Frost		Color	Marked
												Red	A
												Amber	B
												Clear	C
												Green	D
												Blue	E
												White	F
											Series	Code	
											37	Repeat selection from lens color choices above	
											40	Consult factory	



Panel Cutout:
 36/39 - 1.280" x .375"
 37/40 - 1.280" x .812"

Lens colors specified
 left to right and / or
 top to bottom

White is Translucent
 Clear is Transparent

ADDITIONAL OPTIONS AVAILABLE:

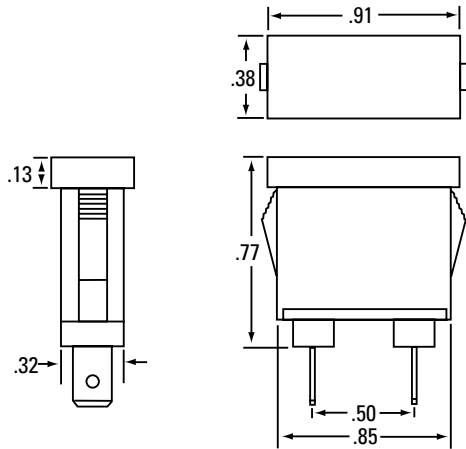
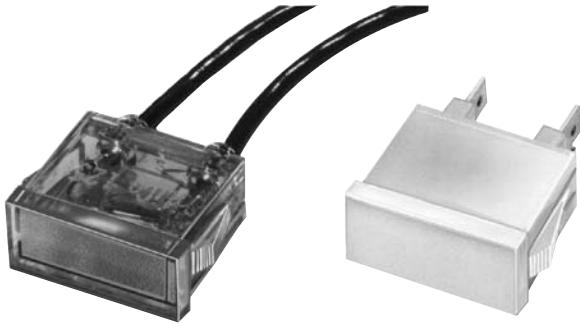
Contact Factory

32

- Snap fits into .330" x .865" panel cutout
- Body and lens are one piece design
- Incandescent and neon illumination

SPECIFICATIONS

Body Material:	Polycarbonate	Wire Strip	1/2"
Lens Material:	Polycarbonate	Panel Thickness:	0.025" to 0.125"
Wire Gauge:	18 ga.	Certifications:	See Page 1



Series		Lamp		Termination		Base		Bezel		Lens			
XX		XX		X		X		X		XXX		X 0	
	Voltage	Type	Code	Style	Code	Color	Code	Finish	Code	Style	Code	Color	Plain
32	6	INCAND	32	6" Wire	1	N/A	0	N/A	0	Rectangular Translucent	171	Red	1
	14	INCAND	35	.187 Tabs	3					Rectangular Frost	174	Amber	2
	28	INCAND	39	Special	X							Clear	3
												Green	4
	125	NEON	50									Blue	5
	250	NEON	52									White	6
		Special	XX										
												Color	Marked
												Red	A
												Amber	B
												Clear	C
												Green	D
												Blue	E
												White	F

White is Translucent
Clear is Transparent

ADDITIONAL OPTIONS AVAILABLE:

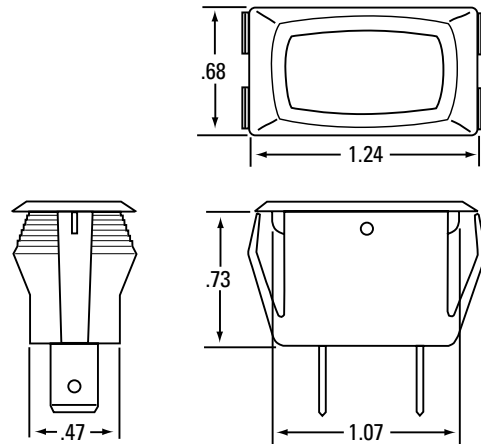
Contact Factory

15

- Snap fits into .550" x 1.125" panel cutout
- LED, Incandescent, and neon illumination
- Matte Finish
- Dummy (hole plugs) available

SPECIFICATIONS

Body Material: Nylon
 Lens Material: Polycarbonate
 Panel Thickness: 0.025" to 0.187"
 Certifications: See Page 1



Series		Lamp		Termination		Base		Bezel		Lens				
XX		XX		-	X	-	X		X	-	XXX		X	0
15	<u>Voltage</u>	<u>Type</u>	<u>Code</u>	<u>Style</u>	<u>Code</u>	<u>Color</u>	<u>Code</u>	<u>Finish</u>	<u>Code</u>	<u>Style</u>	<u>Code</u>	<u>Color</u>	<u>Plain</u>	
	N/A	DUMMY	00	N/A	0	White	1	N/A	0	Flush Translucent ¹	121	Red	1	
	2	LED	10	.250 Tabs	4	Black	2			Flush Frost	124	Amber	2	
	6	INCAND	32									Clear ²	3	
	14	INCAND	35									Green	4	
	28	INCAND	39									Blue	5	
	125	NEON	50									White	6	
	250	NEON	52									Black	7	
		Special	XX									<u>Color</u>	<u>Marked</u>	
												Red	A	
												Amber	B	
												Clear ²	C	
												Green	D	
												Blue	E	
												White	F	

White is Translucent
 Clear is Transparent

ADDITIONAL OPTIONS AVAILABLE:

Contact Factory

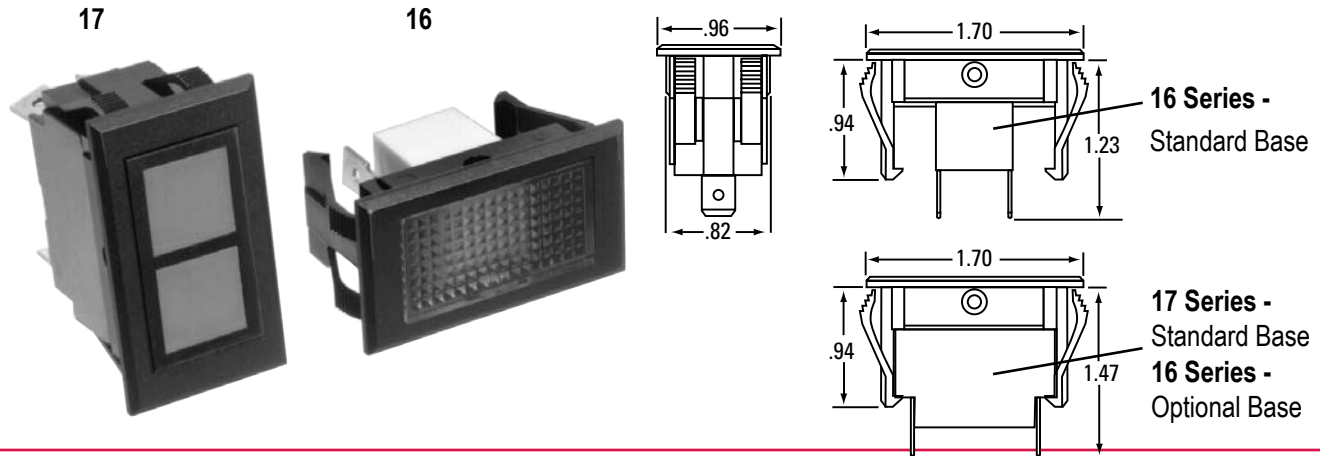
1. Translucent Lens is not recommended for use with LED
2. Specify LED Color if applicable

16, 17

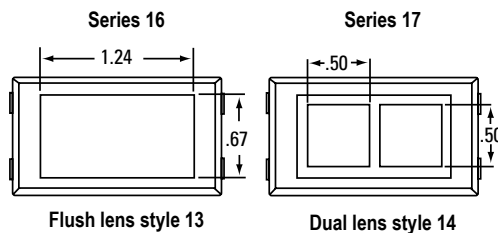
- Snap fits into .830 x 1.450" panel cutout
- Incandescent and neon illumination
- Single or dual lenses
- Dummy (hole plugs) available

SPECIFICATIONS

Body Material: Nylon Panel Thickness: 0.030" to 0.240"
 Lens Material: Polycarbonate Certifications: See Page 1
 Wire Gauge: 18 ga.



Series	Lamp		Termination		Base		Bezel		Lens				
XX	XX	-	X	-	X	X	-	XXX	X	X			
	<u>Voltage</u>	<u>Type</u>	<u>Code</u>	<u>Style</u>	<u>Code</u>	<u>Color</u>	<u>Code</u>	<u>Finish</u>	<u>Code</u>	<u>Style</u>	<u>Code</u>	<u>Color</u>	<u>Plain</u>
16	N/A	DUMMY	00	N/A	0	Std.	0	Matte Black	5	Single Translucent	131	Red	1
17	6	INCAND	32	.187 Tabs	3	Optional	X	Matte White	6	Single Diamond	133	Amber	2
	14	INCAND	35	.250 Tabs	4					Single Fine Diamond	137	Clear	3
	28	INCAND	39	Solder	5							Green	4
	125	NEON	50							Dual Translucent	141	Blue	5
	250	NEON	52							Dual Fine Diamond	147	White	6
		Special	XX									Black	7
												<u>Color</u>	<u>Marked</u>
												Red	A
												Amber	B
												Clear	C
												Green	D
												Blue	E
												White	F



Series	Code
16	0
17	Repeat selection from lens color choices above

White is Translucent
Clear is Transparent

ADDITIONAL OPTIONS AVAILABLE:

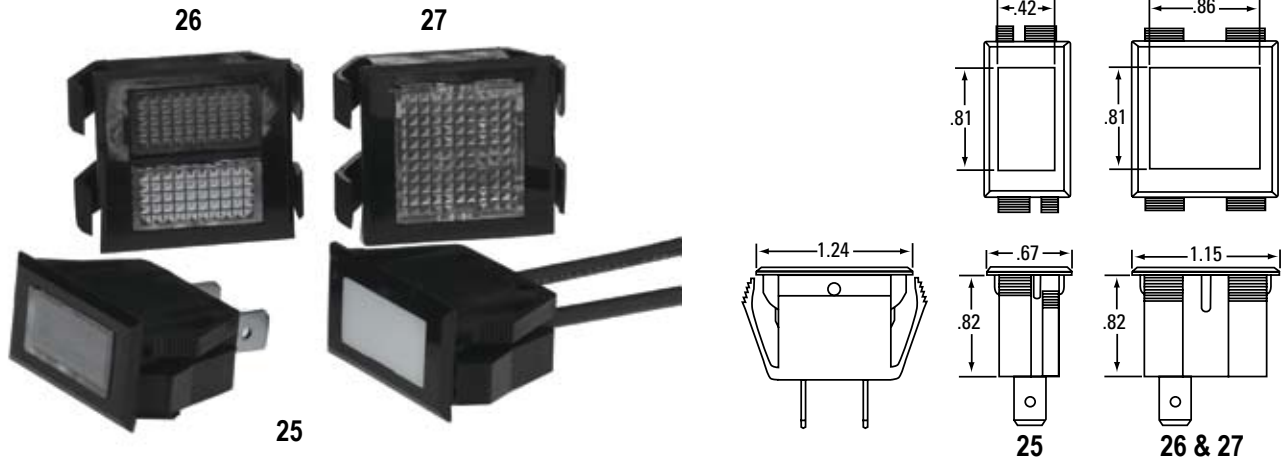
Contact Factory

25, 26, 27

- Snap fits into panel cutout
- Incandescent and neon illumination
- Single or dual lenses, many combinations available
- Dummy (hole plugs) available

SPECIFICATIONS

Body Material:	Nylon	Panel Thickness:	0.020" to 0.250"
Lens Material:	Polycarbonate	Certifications:	See Page 1
Wire Gauge:	18 ga.		



Series		Lamp			Termination		Base		Bezel		Lens				
XX		XX		-	X		-	X		X		XXX		X	X
	<u>Voltage</u>	<u>Type</u>	<u>Code</u>		<u>Style</u>	<u>Code</u>	<u>Color</u>	<u>Code</u>	<u>Finish</u>	<u>Code</u>	<u>Style</u>	<u>Code</u>	<u>Color</u>	<u>Plain</u>	
25	N/A	DUMMY	00		N/A	0	Matte White	4	None	0	Rectangular Translucent	451	Red	1	
26	6	INCAND	32		6" Wire	1	Matte Black	5	Stainless ¹	1	Rectangular Diamond	453	Amber	2	
27	14	INCAND	35		.250 Tabs	4			Black ¹	3	Rectangular Line	455	Clear	3	
	28	INCAND	39		Solder	5					Square Translucent	461	Green	4	
	125	NEON	50		Special	X					Square Diamond	463	Blue	5	
	250	NEON	52								Square Lines	465	White	6	
		Special	XX										Black	7	
													<u>Color</u>	<u>Marked</u>	
													Red	A	
													Amber	B	
													Clear	C	
													Green	D	
													Blue	E	
													White	F	

Panel Cutout:

25	.550" x 1.125"
26	1.000" x 1.125"
27	1.000" x 1.125"

Series	Code
25 & 27	0
26	Repeat selection from lens color choices above

**White is Translucent
Clear is Transparent**

ADDITIONAL OPTIONS AVAILABLE:

1. Series 25 and 26 only

Contact Factory

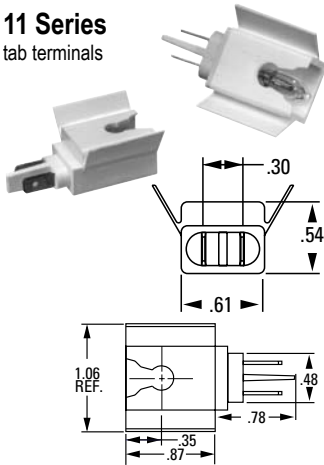
10, 11, & 60

- Lens mounts from front, indicator from behind panel
- Incandescent and neon illumination
- 10 Series has wire leads only
- 11 Series has tab terminals only
- 60 Series available with wire leads or tab terminals

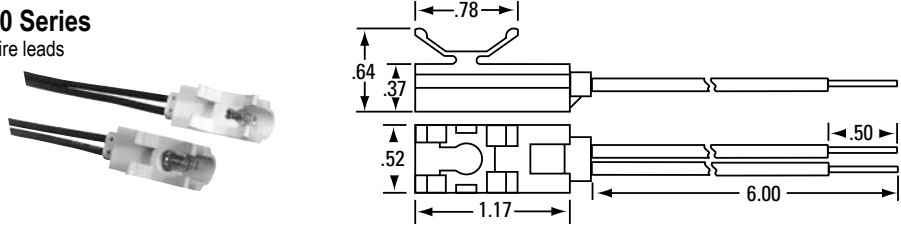
SPECIFICATIONS

Body Material:	Nylon	Wire Strip:	1/2"
Lens Material:	Polycarbonate	Panel Thickness:	0.031" to 0.78" ²
Wire Gauge:	Series 10 - 20 ga. Series 60 - 18 ga.	Certifications:	See Page 1

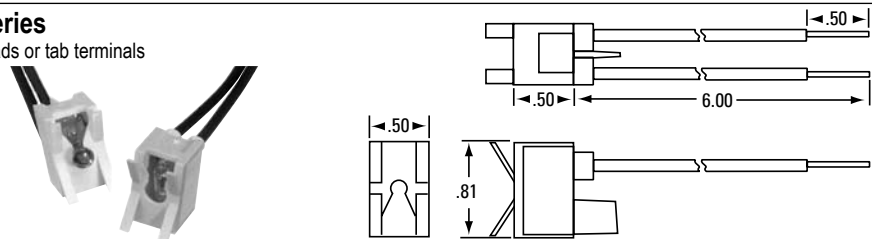
11 Series tab terminals



10 Series wire leads

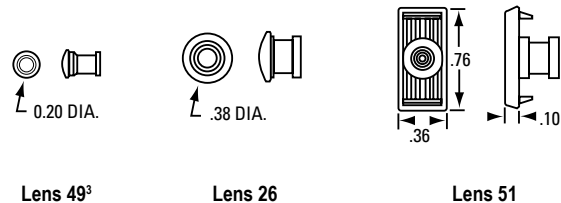


60 Series wire leads or tab terminals



Series	Lamp		Termination		Base		Bezel		Lens				
XX	XX		X		X		X		XXX		X	0	
	Voltage	Type	Code	Style	Code	Color	Code	Finish	Code	Style	Code	Color	Code
10	6	INCAND	32	6" Wire ³	1	N/A	0	N/A	0	.200 Dia Rings ³	496	N/A	0
11	14	INCAND	35	.187 Tabs ⁴	3					.375 Dia Rings	266	Red	1
60	28	INCAND	39	.250 Tabs ⁴	4					Rectangular Lines	515	Amber	2
				Special	X					No Lens ¹	490	Clear	3
	125	NEON	50							No Lens ¹	260	Green	4
	250	NEON	52							No Lens ¹	510	Blue	5
		Special	XX										

- Lens 49 mounting hole .180" dia
- Lens 26 mounting hole .312" dia.
- Lens 51 mounting hole .300" x .690"



ADDITIONAL OPTIONS AVAILABLE:

Contact Factory

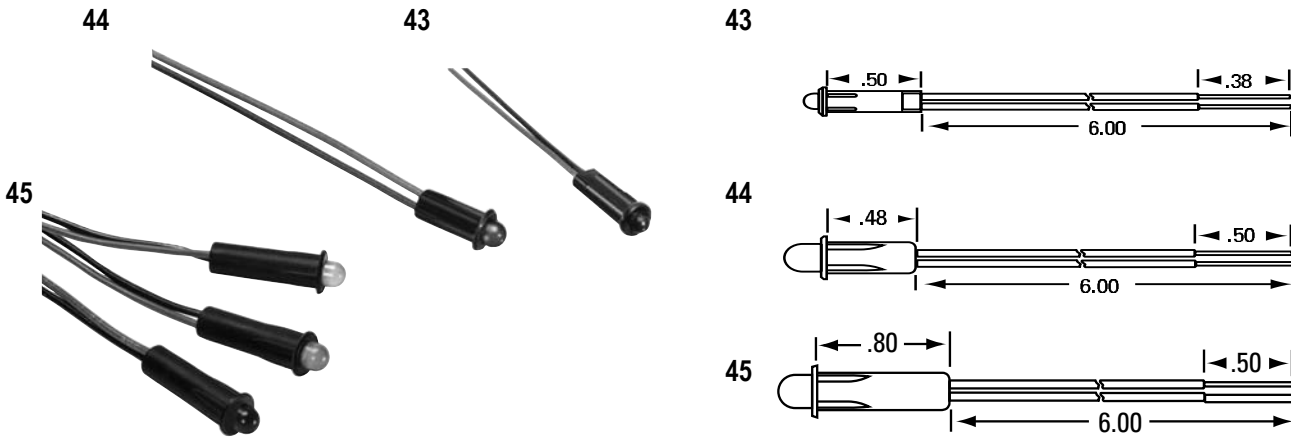
1. If Ordered without lens, lens style must still be specified, Pattern and color are "0".
2. Nominal range. Alternate lenses (style 26) are available to fit thicker panels. Please consult factory.
3. Not Available on Series 11
4. Not Available on Series 10

43, 44, 45

- Series 43 - 3mm size LED
- Series 44 & 45 - 5mm size LED
- Press fit

SPECIFICATIONS

Body Material: Nylon
 Wire Gauge: Series 43 - 26 ga., 3/8" strip
 Series 44/45 - 24 ga., 1/2" strip
 Certifications: See Page 1



Series		Lamp		Termination		Base		Bezel		Lens			
XX		XX		X		X		X		XXX			
	<u>Voltage</u>	<u>Type</u>	<u>Code</u>	<u>Style</u>	<u>Code</u>	<u>Color</u>	<u>Code</u>	<u>Finish</u>	<u>Code</u>	<u>Style</u>	<u>Code</u>	<u>Color</u>	<u>Code</u>
43	2	LED	10	6" Wire	1	Black	2	N/A	0	Diffused ²	010	Red	1
44	6	LED ¹	11	Special	X					Color Clear ²	030	Amber	2
45	14	LED ¹	12							Water Clear ²	050	Green	4
	28	LED ¹	13									Blue	5 ⁴
	125	LED ^{1,3}	15									White	6
	250	LED ^{1,3}	16									Yellow	8
		Special	XX										

43 Series Mounting hole 0.173" dia
44 & 45 Series Mounting hole 0.250" dia

ADDITIONAL OPTIONS AVAILABLE:

Contact Factory

1. For voltages greater than 2V the appropriate external resistor will be provided in the lead.
2. Subject to availability.
3. Not available on Series 43.
4. Water clear blue only

46, 47

- 46 - 3mm or 47 - 5mm LED
- Threaded body - secured with lockwasher & nut
- Black or chrome finish

SPECIFICATIONS

Body Material: Brass (Plated)
 Wire Gauge: Series 46 - 26 ga.
 Series 47 - 24 ga.
 Wire Strip: $\frac{3}{16}$ "

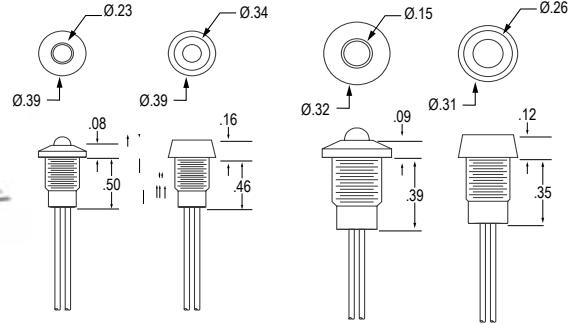
Series 46

Series 47



Series 46

Series 47



Series		Lamp		Termination		Base		Bezel		Lens			
XX		XX		X		X		X		XXX		X	0
46	Voltage	Type	Code	Style	Code	Color	Code	Finish	Code	Style	Code	Color	Code
47	2	LED	10	6" Wire	1	Dome	7	Chrome	2	Diffused ²	010	Red	1
	6	LED ¹	11	Special	X	Recess	8	Black	3	Color Clear ²	030	Amber	2
	14	LED ¹	12							Water Clear ²	050	Green	4
	28	LED ¹	13									Blue	5 ³
		Special	XX									White	6
												Yellow	8

Series 46 - 3mm size mounting hole .24"
 Series 47 - 5mm size mounting hole .31"

ADDITIONAL OPTIONS AVAILABLE:

Contact Factory

1. Voltages greater than 2V require components in lead wire(s)
2. Subject to availability
3. Water clear blue only

NEW

68

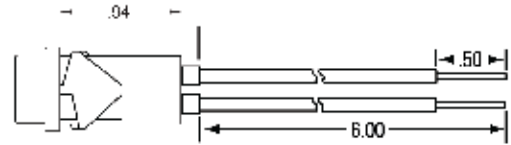
- Snap fits into 0.500" panel hole
- LED, incandescent, and neon illumination
- Many lens styles available

SPECIFICATIONS

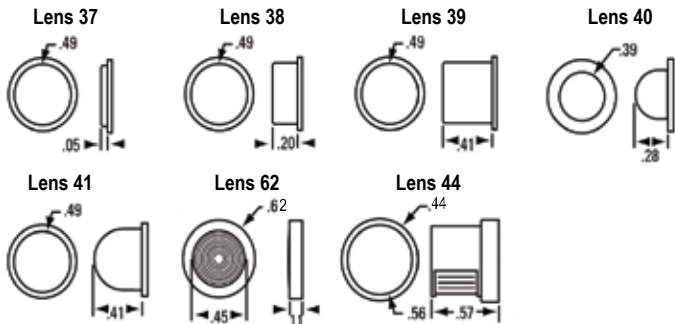
Body Material:	Polycarbonate	Panel Thickness:	0.030" to 0.093"
Lens Material:	Polycarbonate	Certifications:	See Page 1
Bezel Material:	Stainless Steel or Plated Brass		



Shown with lens 38



Series	Lamp		Termination		Base		Bezel		Lens				
XX	XX		X		X		X		XXX		X	0	
Voltage	Type	Code	Style	Code	Color	Code	Finish	Code	Style	Code	Color	Plain	
68	2	LED	10	6" wire	1	N/A	0	None	0	.09 Cylinder Translucent ^{1,4}	371	Red	1
	6	LED	11	.187 Tabs	3		Stainless	1	.09 Cylinder Diamond ⁴	373	Amber	2	
	14	LED	12	.250 Tabs	4		Chrome	2	.09 Cylinder Rings ⁴	376	Clear ²	3	
	28	LED	13				Black	3	.25 Cylinder Translucent ^{1,4}	381	Green	4	
	6	INCAND	32						.25 Cylinder Diamond ⁴	383	Blue	5	
	14	INCAND	35						.25 Cylinder Rings ⁵	386	White	6	
	28	INCAND	39						.46 Cylinder Translucent ^{1,4}	391			
									.46 Cylinder Diamond ⁴	393			
									.46 Cylinder Rings ⁴	396	Color	Marked	
	125	NEON	50						Small Dome Translucent ^{1,4}	401	Red	A	
	250	NEON	52						Small Dome Lines ⁴	405	Amber	B	
	480	NEON	54						Large Dome Translucent ^{1,4}	411	Clear ²	C	
	600	NEON	55						Large Dome Rings ⁴	416	Green	D	
		Special	XX						Semi Dome Translucent ^{1,5}	421	Blue	E	
									Flush Lens w/Tapered Bezel ^{3,4}	626	White	F	
									Cap, Black (F1C) Translucent ⁵	441			
									Cap, Black (F1C) Transparent ⁵	443			



White is Translucent
Clear is Transparent

ADDITIONAL OPTIONS AVAILABLE:

Contact Factory

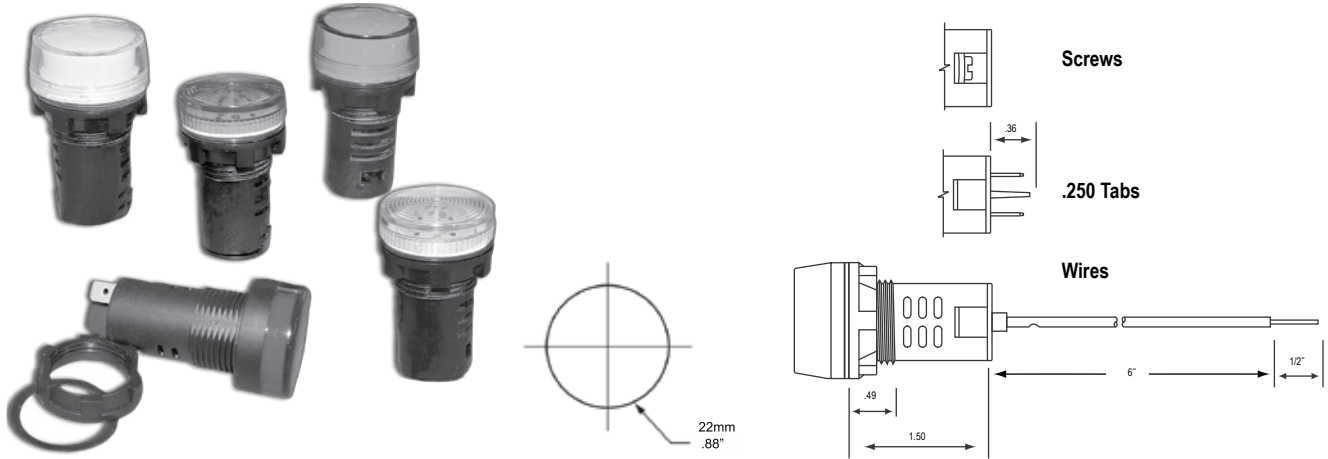
1. Translucent lens is not recommended for use with LED
2. Specify LED color if applicable
3. Polished bezel only use code 2
4. Bezel required
5. Bezel not available

NEW **KF**

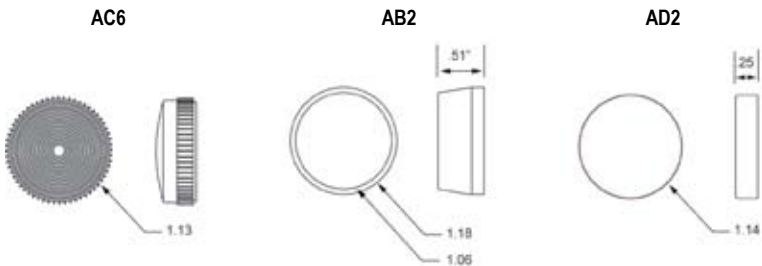
- Mounts in 22mm panel hole
- Hex nut + panel seal supplied
- Three lens styles available

SPECIFICATIONS

Housing: PBT w/ 20% glass Hex Nut: Polycarbonate
 Lens: Polycarbonate Certifications: See Page 1
 Diffuser: POM (polyacetal)



Series	Lamp		Termination		Base		Bezel		Lens				
XX	XX	-	X	-	X	X	-	XXX		X	0		
KF	Voltage	Type	Code	Style	Code	Color	Code	Finish	Code	Style	Code	Color	Code
	14	LED	12	6" Wire	1	Black	2	None	0	Tapered (w/Diffuser)	AB2	Red	1
	28	LED	13	.250 Tabs ¹	4					Semi-Dome, Rings	AC6	Green	4
	125	LED ¹		Clamp						Flat Top (w/Diffuser)	AD2	Blue	5
	250	LED ¹		Screws	6							White	6
												Yellow	8
		Special	XX										



ADDITIONAL OPTIONS AVAILABLE:

Contact Factory

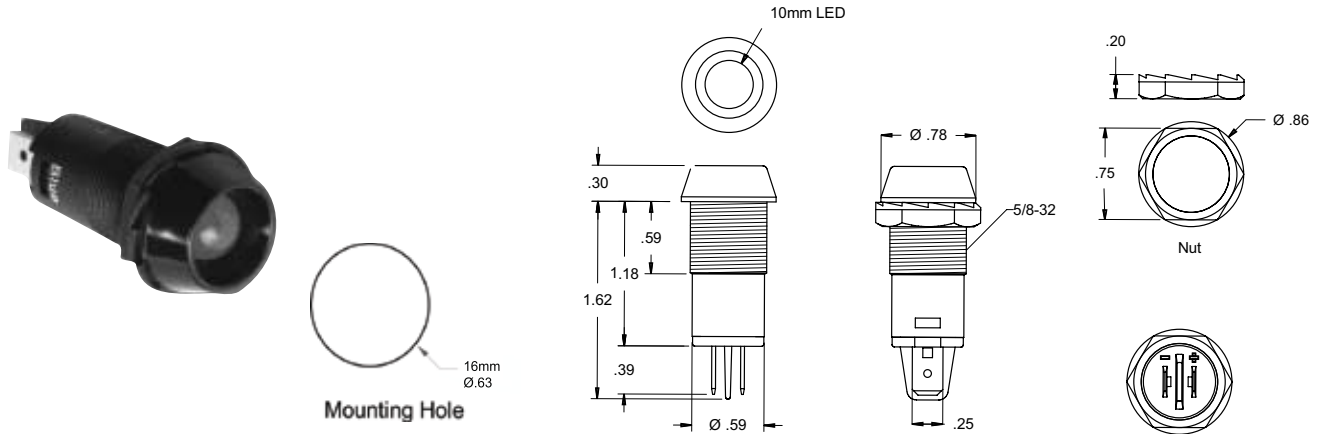
1. Contact Factory

NEW KE

- 16mm mounting hole
- 10mm ultra-bright LED
- Supplied with nylon hex nut

SPECIFICATIONS

Body Material: Nylon 66 (UL 94V-2) Operating Temp: -20°C to +85°C
 Nut Material: Nylon 66 (UL 94V-2) Certifications: See Page 1
 Terminal Material: Nickel over Brass



Series		Lamp		Termination		Base		Bezel		Lens			
XX		XX		-	X	-	X	X		XXX		X	0
KE	Voltage	Type	Code	Style	Code	Color	Code	Finish	Code	Style	Code	Color	Code
	14	LED	12	.250 Tabs	4	N/A	0	Black	3	Translucent	010	Red	1
	28	LED	13							Water Clear ²	050	Amber	2
	125	LED ¹										Green	4
												Blue	5
												White	6
												Pure White	P

LED Viewing Angle 120°

LED Light Output (mcd)

Red	250
Amber	200
Green	700
Blue	300
White	500
P White	4000

ADDITIONAL OPTIONS AVAILABLE:

Contact Factory

1. Contact Factory
2. Pure White Only

NEW Flex-Lite

- Mounting:
 Unsealed - 3M double back tape
 Sealed - Mounting/Termination accessories available
- All measurements in inches
- Cut length every 1.94"

SPECIFICATIONS

Operating Temp: -40°C to +85°C
 Unsealed: Flexible PC Board
 Surface Mount Components
 Sealed: Housing - Silicone Rubber
 Over Flex Circuit



1 Color Sealed



1 Color Unsealed



RGB Sealed



RGB Unsealed

Series		Voltage		Style		Leads		Color		Length		Packaging	
XX		XX		-	X	-	X	X		-	XXX	X	0
RF		Voltage 14 28	Type LED	Code 12 13	Style Unsealed Sealed	Code U S	Length 6 inch	Code L	Color Red Green Blue White Yellow Pure White RGB	Code 1 4 5 6 8 P M	Length In Inches 192 (1 Reel)	Type Reel Cut Assembly	Code R C A

Contact Factory for cutting and assembly instructions

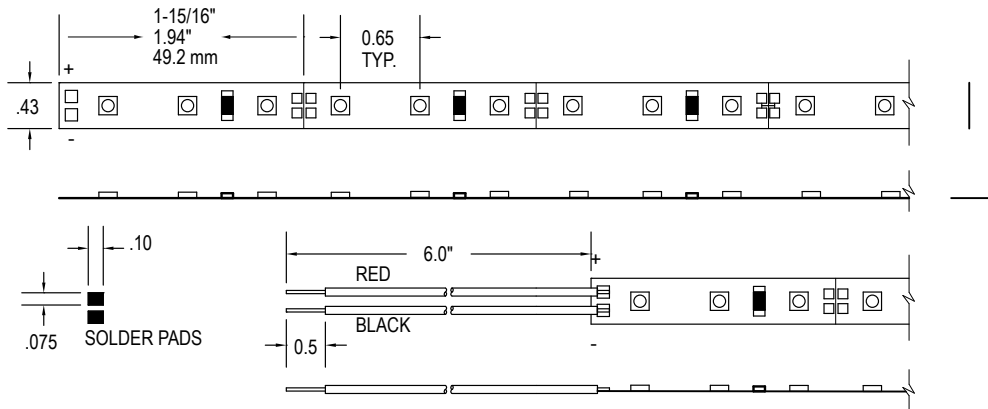
See Next Page

ADDITIONAL OPTIONS AVAILABLE:

Contact Factory

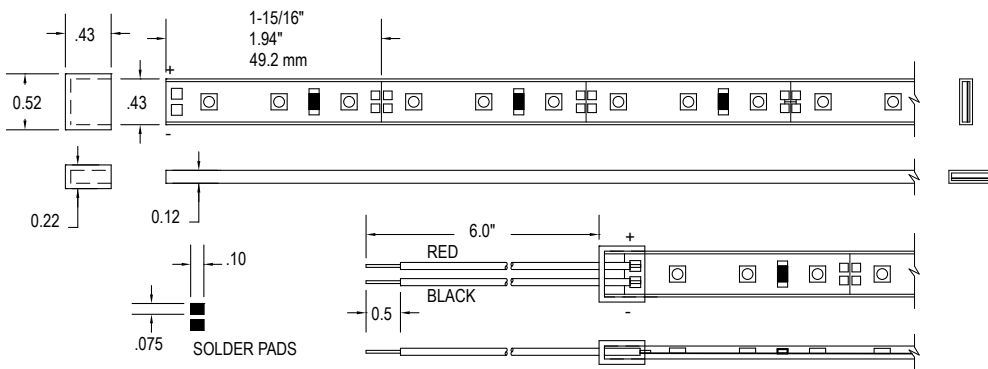
NEW Flex-Lite

Flex-Lite Unsealed



Tolerance $\pm 1/2$ "

Flex-Lite Sealed



Tolerance $\pm 1/2$ "

Single Color Accessories



RGB Accessories



LED Viewing Angle 120°
LED Light Output (mcd)

Red	250	Blue	300
Amber	200	White	500
Green	700	Pure White	4000

See Previous Page

ADDITIONAL OPTIONS AVAILABLE:

Contact Factory

Lamps & LEDs

Neon Lamps (AC)

Neon lamps are constructed of a glass envelope, containing two electrodes and a mixture of inert gases. When a voltage is applied, above the "breakdown" voltage, the gas between the electrodes ionizes, creating the familiar orange-red "glow". They are rugged, reliable, cost effective and generate little heat. While light output is lower than incandescent lamps, neons are the most widely used light sources for indicators used at line voltages. Normally lighting with a red-orange glow, neons are also available in both green and blue by using special gasses and phosphorescent coatings inside the glass envelope.

All neon lamps require a current limiting resistor in series with the lamp. The value of this resistor is determined by three criteria: the manufacturer's specified operating characteristics, the desired brightness, and the required lamp life. While neon lamps have a typical life of 25,000 hours, this is directly proportional to the operating current. Higher current gives greater brightness, but shorter life. Although suited to both AC and DC operation, life when operated on DC is approximately 60% that of AC operation.

Catalog Number	Color	Volts	Life Hours
50	Amber	125V	25,000
52	Amber	250V	25,000
50	Green	125V	15,000
52	Green	250V	15,000
50	Blue	125V	10,000
52	Blue	250V	10,000

Please Note: All neon-illuminated indicator lights ordered with a green lens will be provided with a green neon lamp; blue lenses will be provided with a blue neon lamp.

Incandescent Lamps (AC/DC)

Incandescent lamps are best known for their bright white light output. When an electrical current is passed through the filament, it glows "white hot" creating light. The trade-off in incandescent lamps is their susceptibility to physical shock and vibration, as the filament becomes very fragile at its elevated operating temperatures. We recommend mounting the indicator away from any vibration source, and / or cushioning the lamp within the indicator assembly with a resilient potting compound.

Catalog Number	Volts	Size	Amps	Life Hours
32	6.3V	T - 1 $\frac{3}{4}$.04	50,000
33	10V	T - 1 $\frac{3}{4}$.04	5,000
35	14V	T - 1 $\frac{3}{4}$.08	50,000
39	28V	T - 1 $\frac{3}{4}$.04	25,000

Incandescent lamps can also generate significant heat, which should be considered in your application. Similar to neon lamps, operating an incandescent lamp at less than rated current will significantly increase its useful life. Using a 14 volt incandescent lamp in a 12 volt circuit will reduce the light output by about 30%, but will increase its life by a factor of four.

LEDs (DC)

Light Emitting Diodes, or LEDs as they are more commonly known, are cousins to the semiconductor devices like transistors and integrated circuits, and are fabricated with similar processes. The color of the LED is determined by the combination of materials used during the fabrication process. LED's are now available in a wide variety of colors including white, and in intensities approaching that of incandescent lamps. Bi-color LEDs are available in several color combinations.

LEDs are available in three primary styles; water clear lens for highest brightness but smallest viewing angle, color clear lens for increased viewing angle at a somewhat reduced light output, and color diffused lens for the widest viewing angle at greater reduction in light output. Light output for LEDs is measured in millicandellas (mcd) and is specified by minimum and typical values.

LEDs are DC (direct current) devices, although SoLiCo can provide a number of our products configured to use LEDs as AC (alternating current) devices.

The technology of LEDs is evolving very rapidly these days, to the point that any specifics we print in our catalog may be obsolete or superseded almost immediately.

Please contact us to discuss your specific LED indicator requirements. We have the experience and technical knowledge to find your solution.

Material Specifications

High-Temperature Nylon (bases)
Polycarbonate (lenses and bases)

Operating Temperature

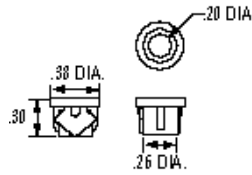
140°C
135°C

UL Rating

94V-2
94V-2

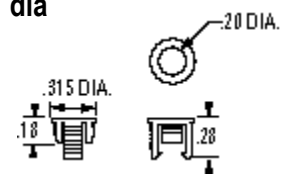
LED Mounting Clips

T – 1 ¾ Mounting Hole .312" dia



Part Number S-501

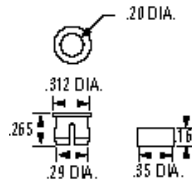
T – 1 ¾ Mounting Hole .250" dia



Part Number S-503

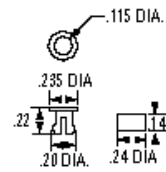
T – 1 ¾ Mounting Hole .250" dia

Clip mounts from panel front, LED from rear for bottom only.



Part Number S-506

T – 1 Mounting Hole .173" dia



Part Number S-301

Imprinting

Hot Stamping

Hot stamping uses a heated metal die, engraved with the required legend, under pressure to force ink into a plastic surface, offering excellent durability. Hot stamping is normally done in black or white, and is best suited to text and simple line art. If no ink color is specified, hot stamping will be done in black, and the orientation of the imprint will be horizontal.

Pad Printing

Pad printing (also known as transfer printing), uses a soft rubber pad to pick up ink from an engraved plate and transfers it to the part to be marked. Pad printing is normally done in black or white, but can be done in any color for which ink is available. If no ink color is specified, white ink will be used. Text and images can be very accurately reproduced with this method. For additional durability in abrasive or high-wear applications, a clear overcoat can be applied over the marking.

Marking Orientation

**Horizontal Lens
Horizontal Legend**



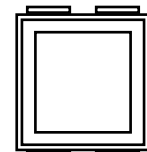
**Vertical Lens
Vertical Legend**



**Vertical Lens
Horizontal Legend**



**Series 27
Standard Orientation**



Marking Department

Pad Printing

SoLiCo has the capability of pad printing on almost any of our product surfaces. Pad printing, sometimes referred to as transfer printing, is especially well suited for curved or irregular surfaces. Our equipment can produce high resolution results on convex, concave, and flat caps as well as all lenses and most switch accessories. We can produce a variety of text and custom symbols. If a specific symbol or word is not available we can produce the cliché to accommodate almost any request that can physically fit on the product surface. Standard ink color is white, black is optional, and custom ink colors are available as special purchase options.



Hot Stamp

Hot stamping, while one of the oldest technologies, still offers a cost-effective permanent marking. A heated die, with the image to be marked, and a special foil (ribbon) are pressed onto a plastic surface, depositing the "ink" into the surface. Hot stamping is best suited for text, and low-resolution graphics. As the pigment is actually "melted" into the surface, it provides excellent durability, and good visual contrast.



YAG Laser

SoLiCo's most recent addition to our marking department is our YAG Laser. It is a high-power, high-speed unit with the ability to produce extremely high-resolution graphics. It has a 12" x 12" stage, allowing multiple parts to be marked with a single set-up. Depending on the base material, it is suitable for direct imaging, or using an opaque overcoat, producing a reverse-image style of marking.

