

Plastic-bodied Rope Pull switch S/Si

Protection class IP 65



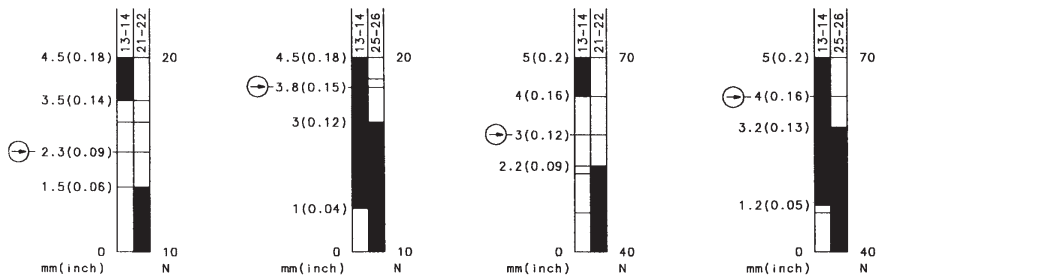
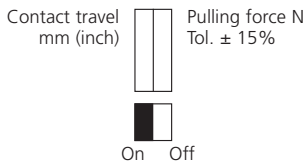
Metal-bodied Rope Pull switch S/Si

Protection class IP 65



Designation
Part number
Circuit diagram
⊕ Forced disconnect to IEC 947-5-1 chapter 3
Za: not galvanically separated contacts
Zb: galvanically separated contacts
Slow make & break/snap-action
Internal seal (iw)/external seal (w)

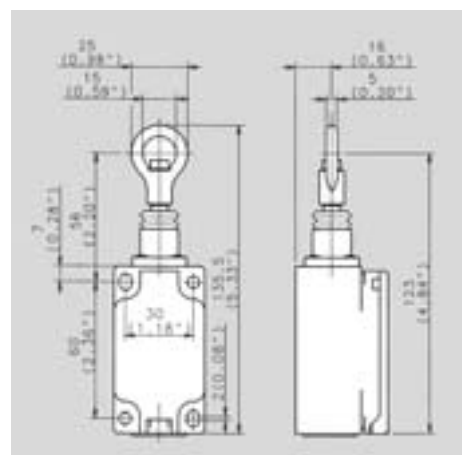
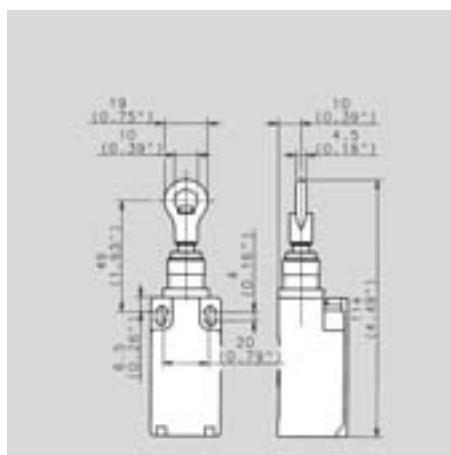
Si-U1Z	SiL-UV1Z	SEK-U1Z	SiEK-UV1Z
601.3812.075	601.3832.076	601.1811.133	601.1831.134
⊕ Zb	⊕ Zb	⊕ Zb	⊕ Zb
●/-	●/-	●/-	●/-



Voltage	max.
Permanent current	max.
In-rush current complies with standards	
Switching frequency	max.
Mechanical life – number of switching actions	
Operating temperature	min./max.
Approvals	
Cable entry	
Weight	
Delivery: ex-stock/built to order	

500 V AC	500 V AC	500 V AC	500 V AC
10 A	10 A	10 A	10 A
●	●	●	●
50/min.	50/min.	50/min.	50/min.
1 x 10 ⁶	1 x 10 ⁶	1 x 10 ⁶	1 x 10 ⁶
-30 °C/+80 °C	-30 °C/+80 °C	-30 °C/+80 °C	-30 °C/+80 °C
-22 °F/+176 °F	-22 °F/+176 °F	-22 °F/+176 °F	-22 °F/+176 °F
UL, CSA	UL, CSA	BG, UL, CSA	BG, UL, CSA
1 x M 20 x 1.5	1 x M 20 x 1.5	1 x M 20 x 1.5	1 x M 20 x 1.5
0.09 kg/0.20 lb	0.09 kg/0.20 lb	0.17 kg/0.37 lb	0.17 kg/0.37 lb
●/-	●/-	●/-	●/-

All dimensions in mm (inch)





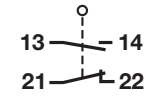
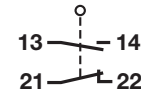
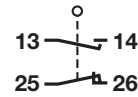
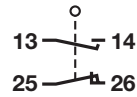
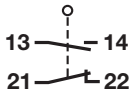
SEM2-U1Z
601.2811.029

SIEM2-UV1Z
601.2831.022

SIEM2-UV1Z Rast
601.2831.023

SD-U1
601.1411.856

SD-U1
611.1411.029



⊖ Zb

⊖ Zb

⊖ Zb

-

-

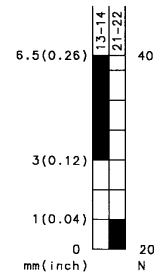
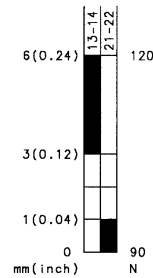
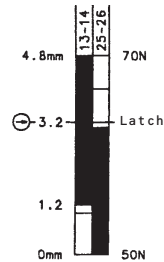
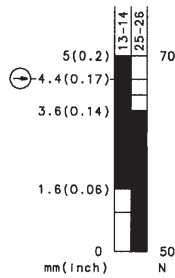
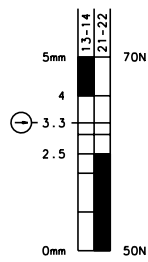
●/-

●/-

-

●/-

●/-



400 V AC
10 A

400 V AC
10 A

400 V AC
10 A

500 V AC
16 A

500 V AC
16 A

●

●

●

●

●

50/min.
1 x 10⁶

50/min.
1 x 10⁶

17/min.
1 x 10⁶

50/min.
1 x 10⁶

50/min.
1 x 10⁶

-30 °C/+80 °C
-22 °F/+176 °F

-30 °C/+80 °C
-22 °F/+176 °F

-30 °C/+80 °C
-22 °F/+176 °F

-30 °C/+80 °C
-22 °F/+176 °F

-30 °C/+80 °C
-22 °F/+176 °F

BG, UL, CSA

BG, UL, CSA

BG, UL, CSA

UL, CSA

UL, CSA

1 x M 20 x 1.5
0.22 kg/0.49 lb

1 x M 20 x 1.5
0.22 kg/0.49 lb

1 x M 20 x 1.5
0.26 kg/0.57 lb

2 x M 20 x 1.5
0.33 kg/0.73 lb

2 x M 20 x 1.5
0.33 kg/0.73 lb

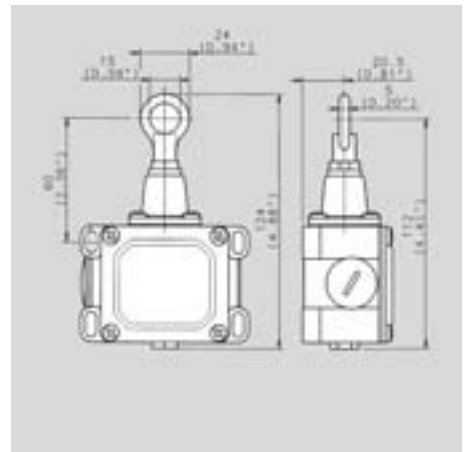
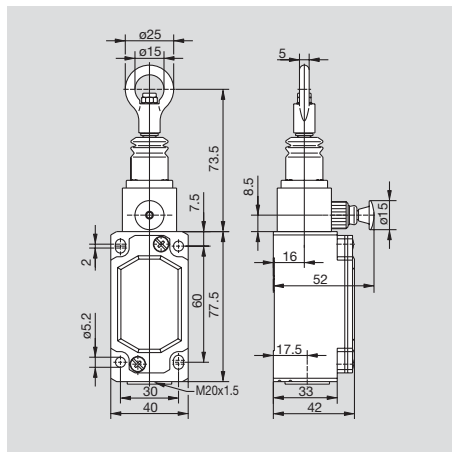
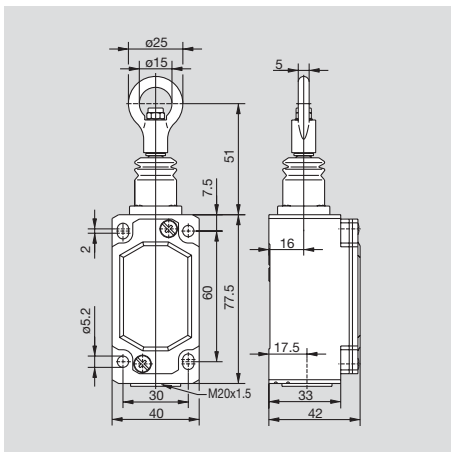
●/-

●/-

●/-

●/-

●/-



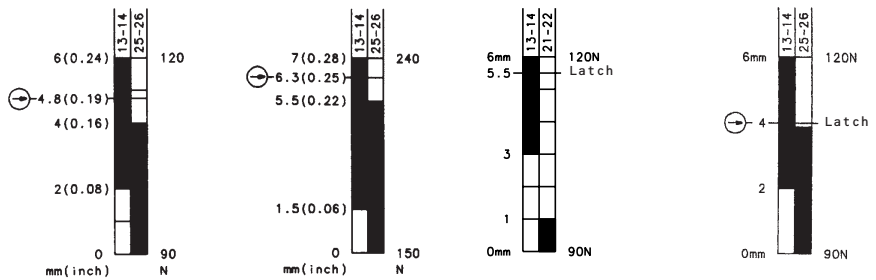
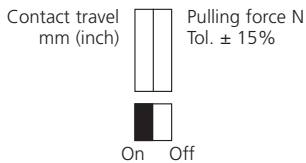
Metal-bodied Rope Pull switch S/Si

Protection class IP 65



Designation	
Part number	
Circuit diagram	
⊕ Forced disconnect to IEC 947-5-1 chapter 3	
Za: not galvanically separated contacts	
Zb: galvanically separated contacts	
Slow make & break/snap-action	
Internal seal (iw)/external seal (w)	

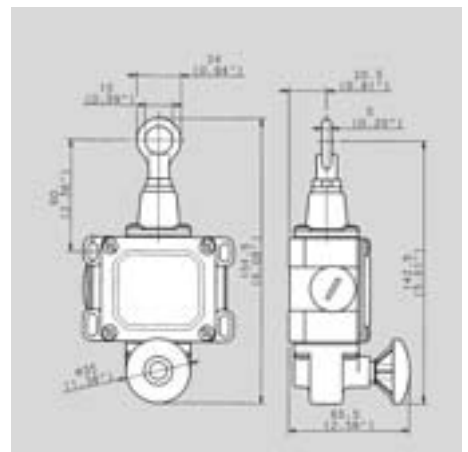
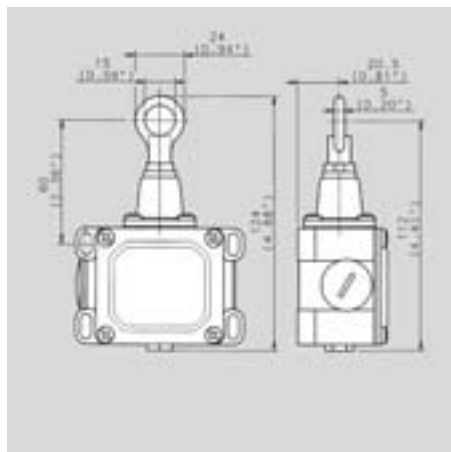
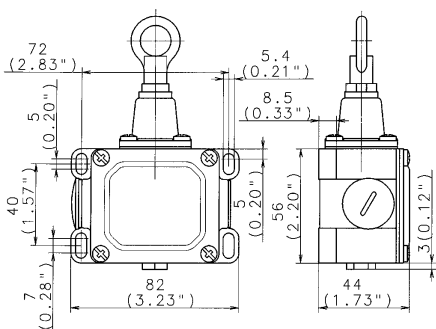
SiD-UV1Z	SiD-UV1Z	SD-U1	SiD-UV1Z Rast
601.1431.857	611.1431.022	601.1411.868	601.1431.869
⊕ Zb	⊕ Zb	-	⊕ Zb
●/-	●/-	●/-	●/-
-	-	●	●



Voltage	max.
Permanent current	max.
In-rush current complies with standards	
Switching frequency	max.
Mechanical life – number of switching actions	
Operating temperature	min./max.
Approvals	
Cable entry	
Weight	
Delivery: ex-stock/built to order	

400 V AC	400 V AC	500 V AC	400 V AC
16 A	16 A	16 A	16 A
●	●	●	●
50/min.	50/min.	20/min.	20/min.
1 x 10 ⁶	1 x 10 ⁶	1 x 10 ⁶	1 x 10 ⁶
-30 °C/+80 °C	-30 °C/+80 °C	-30 °C/+80 °C	-30 °C/+80 °C
-22 °F/+176 °F	-22 °F/+176 °F	-22 °F/+176 °F	-22 °F/+176 °F
UL, CSA	UL, CSA	UL, CSA	UL, CSA
2 x M 20 x 1.5	2 x M 20 x 1.5	2 x M 20 x 1.5	2 x M 20 x 1.5
0.33 kg/0.73 lb	0.33 kg/0.73 lb	0.49 kg/1.08 lb	0.49 kg/1.08 lb
●/-	●/-	●/-	●/-

All dimensions in mm (inch)



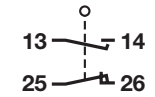
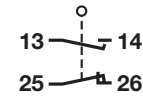
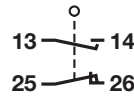
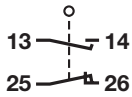


SID-UV1Z Rast
611.1431.060

SID-UV1Z
601.2431.877

SID-UV1Z Rast
601.2431.883

SID-UV1Z Rast
611.2431.050



⊕ Zb

●/-

●

⊕ Zb

●/-

-

⊕ Zb

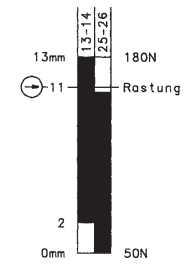
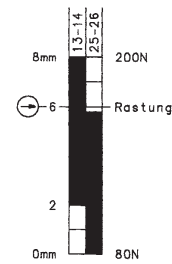
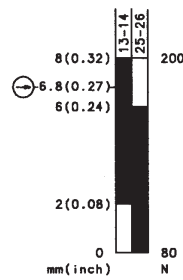
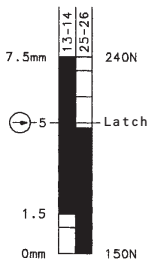
●/-

●

⊕ Zb

●/-

●



400 V AC
 16 A

●

500 V AC
 16 A

●

500 V AC
 16 A

●

500 V AC
 16 A

●

20/min.

1 x 10⁶

-30 °C/+80 °C

-22 °F/+176 °F

50/min.

1 x 10⁶

-30 °C/+80 °C

-22 °F/+176 °F

20/min.

1 x 10⁶

-30 °C/+80 °C

-22 °F/+176 °F

20/min.

1 x 10⁶

-30 °C/+80 °C

-22 °F/+176 °F

UL, CSA

UL, CSA

UL, CSA

UL, CSA

2 x M 20 x 1.5

0.53 kg/1.17 lb

●/-

2 x M 20 x 1.5

0.47 kg/1.04 lb

●/-

2 x M 20 x 1.5

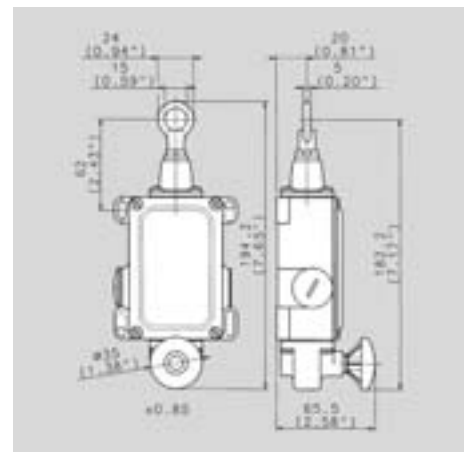
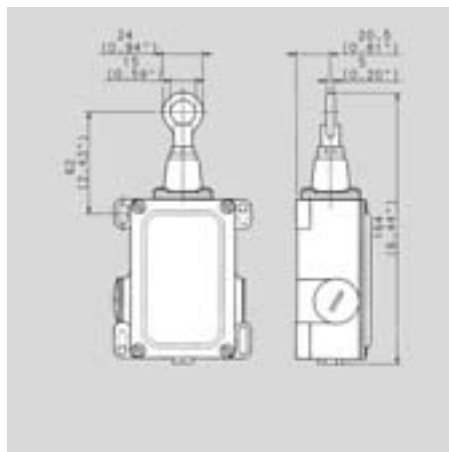
0.70 kg/1.54 lb

●/-

2 x M 20 x 1.5

0.64 kg/1.41 lb

●/-



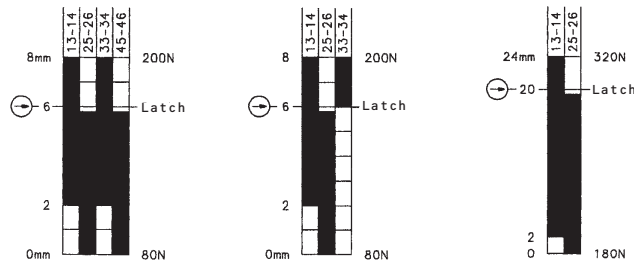
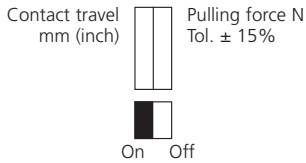
Metal bodied Rope Pull switches S/Si

Protection class IP 65



Designation
Part number
Circuit diagram
⊕ Forced disconnect to IEC 947-5-1 chapter 3
Za: not galvanically separated contacts
Zb: galvanically separated contacts
Slow make & break/snap-action
Internal seal (iw)/external seal (w)

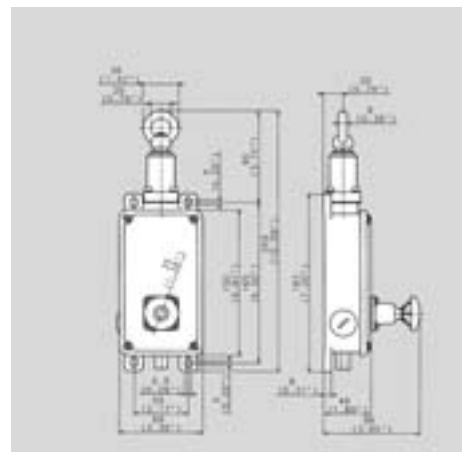
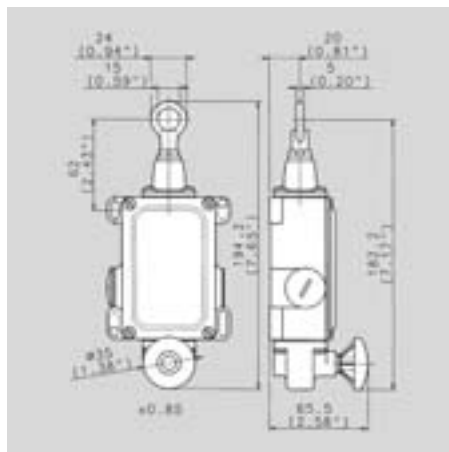
SiD-UV2Z Rast	SiD-UV1Z/E1 Rast	SiN-UV1Z P-Rast
601.2441.907	611.2461.041	601.3531.367
⊕ Zb	⊕ Zb	⊕ Zb
●/-	●/-	●/-
●	●	●



Voltage	max.
Permanent current	max.
In-rush current complies with standards	
Switching frequency	max.
Mechanical life – number of switching actions	
Operating temperature	min./max.
Approvals	
Cable entry	
Weight	
Delivery: ex-stock/built to order	

400 V AC	400 V AC	500 V AC
16 A	16 A	16 A
●	●	●
20/min.	20/min.	20/min.
1 x 10 ⁶	1 x 10 ⁶	1 x 10 ⁶
-30 °C/+80 °C	-30 °C/+80 °C	-30 °C/+80 °C
-22 °F/+176 °F	-22 °F/+176 °F	-22 °F/+176 °F
UL, CSA	UL, CSA	UL, CSA
2 x M 20 x 1.5	2 x M 20 x 1.5	2 x M 20 x 1.5
0.70 kg/1.54 lb	0.70 kg/1.54 lb	1.30 kg/2.87 lb
●/-	●/-	●/-

All dimensions in mm (inch)

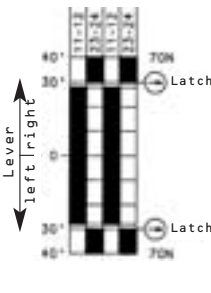
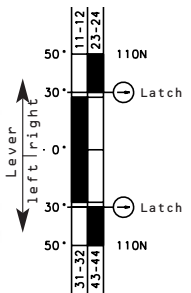
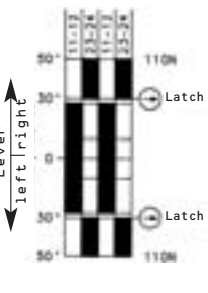
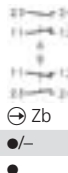
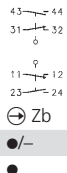
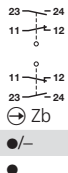




Si1-U2Z AK R-Rast
601.4735.001

Si1-U1Z/U1Z AK R-Rast
601.4735.025

Si2-U2Z AK R-Rast
601.5735.002



250 V AC
 10 A

250 V AC
 10 A

500 V AC
 10 A

10/min.
 1 x 10⁶
 -30 °C/+80 °C
 -22 °F/+176 °F

10/min.
 1 x 10⁶
 -30 °C/+80 °C
 -22 °F/+176 °F

10/min.
 1 x 10⁶
 -30 °C/+80 °C
 -22 °F/+176 °F

UL, CSA

BG, UL, CSA

UL, CSA

1 x M 20 x 1.5
 1.60 kg/3.53 lb

1 x M 20 x 1.5
 1.60 kg/3.53 lb

3 x M 20 x 1.5
 3.80 kg/8.38 lb

