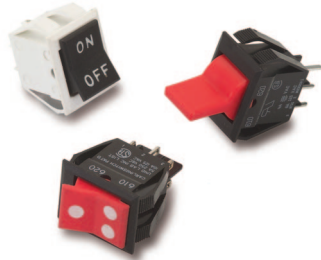


610/620-Series Miniature Rocker Switches



The miniature 610/620-Series switches are double insulated and available in single or double pole configurations. These snap-in mounted switches are offered with either a paddle or rocker actuator and with ratings up to 8 amps. Applications include: Handheld Appliance, Power Supplies, Audio-Visual, Telecom, and Computers.

Dielectric Strength

UL/CSA:

1000V - live to dead metal parts & opposite polarity

Electrical Life

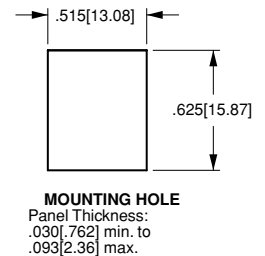
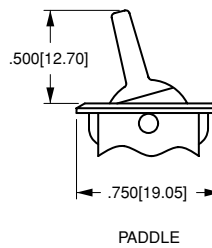
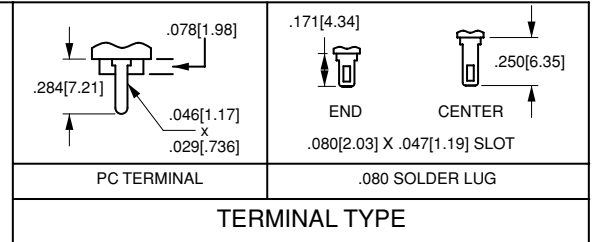
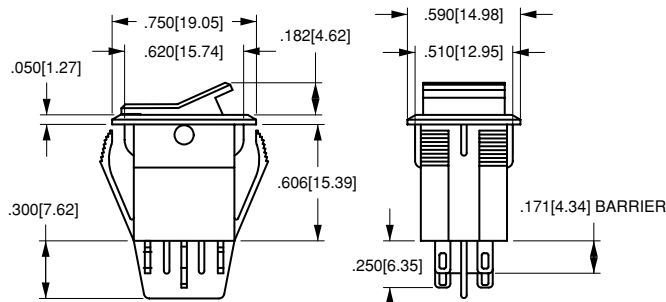
50,000 cycles- single pole
50,000 cycles- double pole

Mechanical Life

100,000 cycles

Operating Temperature

32°F to 185°F (0°C to 85°C)



62012421 - **0** - **0**

1 Base Part Number

2 Terminal Sealing

3 Legend

1 BASE PART NUMBER: SERIES/CIRCUITRY/RATING¹/TERMINATION²

4A 250VAC; 8A 125VAC

Single Pole

| | Solder Lugs | PC Term |
|---------------|-------------|----------|
| ON-NONE-ON | 62011421 | 62011422 |
| ON-NONE-(ON) | 62011431 | 62011432 |
| ON-OFF-ON | 62011461 | 62011462 |
| ON-OFF-(ON) | 62011471 | 62011472 |
| (ON)-OFF-(ON) | 62011481 | 62011482 |

Double Pole

| | | |
|---------------|----------|----------|
| ON-NONE-ON | 62012421 | 62012422 |
| ON-NONE-(ON) | 62012431 | 62012432 |
| ON-OFF-ON | 62012461 | 62012462 |
| ON-OFF-(ON) | 62012471 | 62012472 |
| (ON)-OFF-(ON) | 62012481 | 62012482 |

2 TERMINAL SEALING

| | |
|---|------------------------|
| 0 | none |
| E | epoxy sealed terminals |

3 LEGEND

| | hot stamp |
|-------------------|-----------|
| NO LEGEND | 0 |
| ON-OFF vertical | A |
| ON-OFF horizontal | B |
| I-O horizontal | D |
| I-O vertical | G |

NOTES

1 Base part number specifies black rocker and bezel. To specify paddle actuator, change 2nd digit of part number from 2 to 1 (ex. 61012421) For additional ratings and colors, consult factory.
 () indicates momentary function.