

# LTA-Series

## Single Pole Lighted Rocker Switches

The illuminated predecessor to the Corvette series whose versatility has allowed it to stand the test of time. Traditional styling coupled with self cleaning contacts, integrated wire leads, and various actuator choices has made the LTA-Series appeal to a wide range of markets including Appliance, HVAC, Food service, Transportation, and sundry other markets as well.



**Carling Technologies®**

Innovative Designs. Powerful Solutions.

Innovative Designs. Powerful Solutions.

Switches Unlimited, Technical Dept.  
tech@switchesunlimited.com  
Phone: 800-221-0487 \* Fax: 718-672-6370  
www.switchesunlimited.com

### Dielectric Strength

UL/CSA:  
1000V - live to dead metal parts  
750V - across open contacts

### Electrical Life

100,000 cycles

### Mechanical Life

100,000 cycles

### Operating Temperature

32°F to 185°F (0°C to 85°C)

**LTA201 - P R - B -A 125N**

<sup>1</sup> Base Part Number      <sup>2</sup> Actuator Style      <sup>3</sup> Actuator Color      <sup>4</sup> Bezel Color/Style      <sup>5</sup> Lens Color      <sup>6</sup> Lamp Voltage

**1 BASE PART NUMBER: SERIES/CIRCUITRY/RATING<sup>1</sup>/TERMINATION**  
**10A 250VAC; 15A 125VAC; 3/4 HP 125-250VAC**  
 OFF-NONE-ON      Solder Lugs      .250 Tabs      .187 Tabs      Wire Leads  
**LTA200      LTA201      LTA203      LTA205**

**2 ACTUATOR STYLE<sup>3</sup>**  
**T** Rocker      **PS** Short Paddle  
**P** Paddle

**2 ACTUATOR STYLE<sup>1</sup>**  
**A** Amber      **R** Red  
**C** Clear      **G** Green<sup>2</sup>

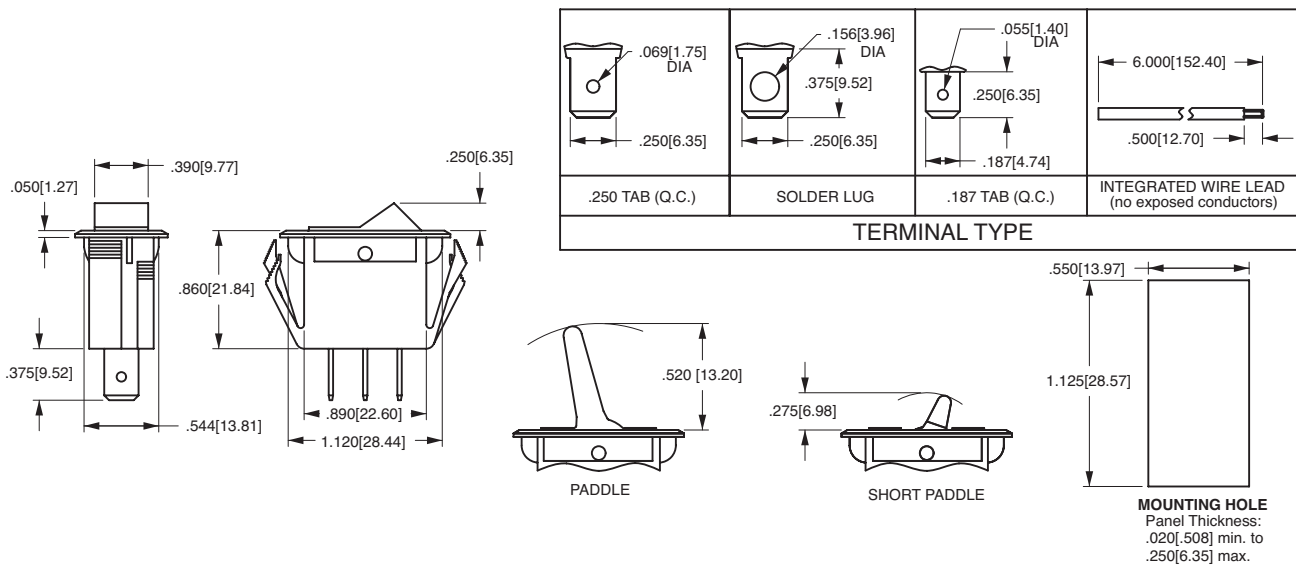
**4 BEZEL COLOR<sup>1</sup>**  
**B** Black      **W** White

**5 LENS COLOR<sup>2,3</sup>**  
 / No Lens      **-G** Green  
**-A** Amber      **-R** Red  
**-C** Clear      **-LU** Blue

**6 LAMP VOLTAGE<sup>2</sup>**  
**006V** 6V incandescent      **024V** 24V incandescent  
**012V** 12V incandescent      **125N** 125V neon  
**018V** 18V incandescent      **250N** 250V neon

**Notes:**

- 1 Additional ratings and colors are available. Consult factory for details.
- 2 Neon lamps not recommended with green or blue rocker/lenses.
- 3 Lens color is specified only if actuator style is P or PS. If style is T (rocker), then use / as the code in position 5.



\*Manufacturer reserves the right to change product specification without prior notice.