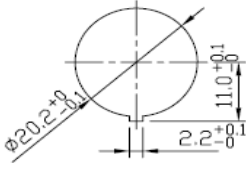
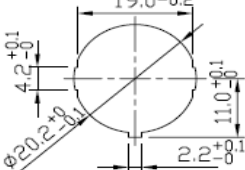

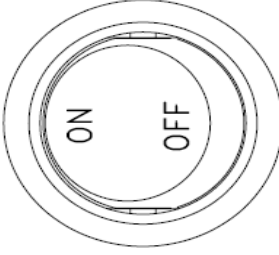
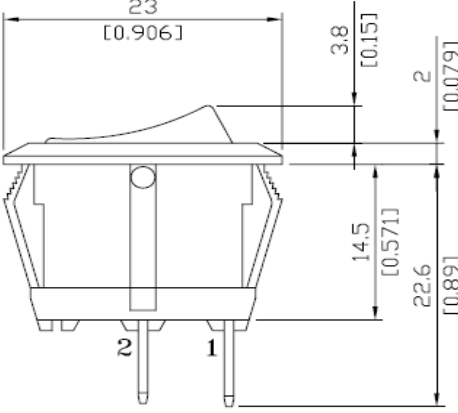
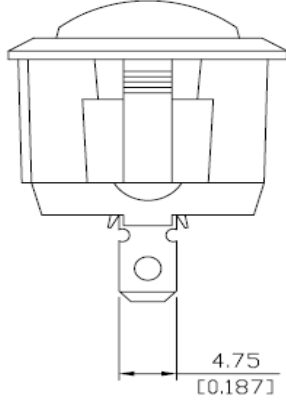




Part# 73556

Rating	10A 125V,6A 250V AC	Mount Hole	
Contact R	50m ohm Max.		
Insulation R	DC 500V 100M ohm Min.		
Dielectric Strength	AC 1500V 1 minute	Circuit Structure	
Operating Temperature	-20°C~85°C		
Circuit	2P SPST ON-OFF		
			



SHOP ONLINE
OR BY PHONE AT 1-800-569-6130

PARTSEARCH
Enter Part Number: