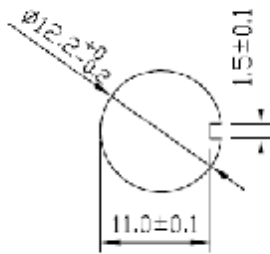

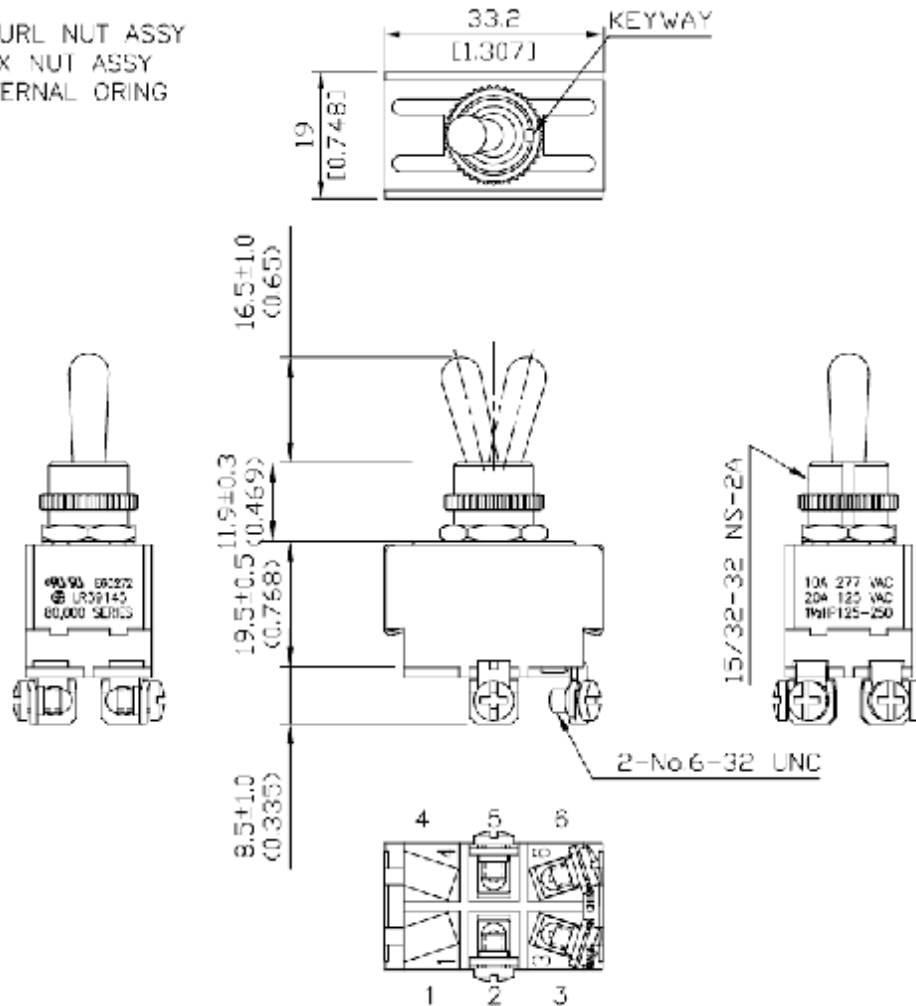


**Part# 1-89672**

<b>Rating</b>	10A 277VAC, 20A 125VAC 1 1/2HP 125-250VAC 21A 14VDC	<b>Mount Hole</b>	<b>Circuit Structure</b>
<b>Contact R</b>	50m ohm Max.		
<b>Insulation R</b>	DC 500V 100M ohm Min.		
<b>Dielectric Strength</b>	AC 1500V 1 minute		
<b>Circuit</b>	4P DPST ON-OFF		
<b>Operation Force</b>	1200g±300g		

- 1 KNURL NUT ASSY
- 1 HEX NUT ASSY
- 1 INTERNAL ORING



Unit	mm (inch)
------	-----------



SHOP ONLINE  
OR BY PHONE AT 1-800-569-6130

PARTSEARCH  
Enter Part Number