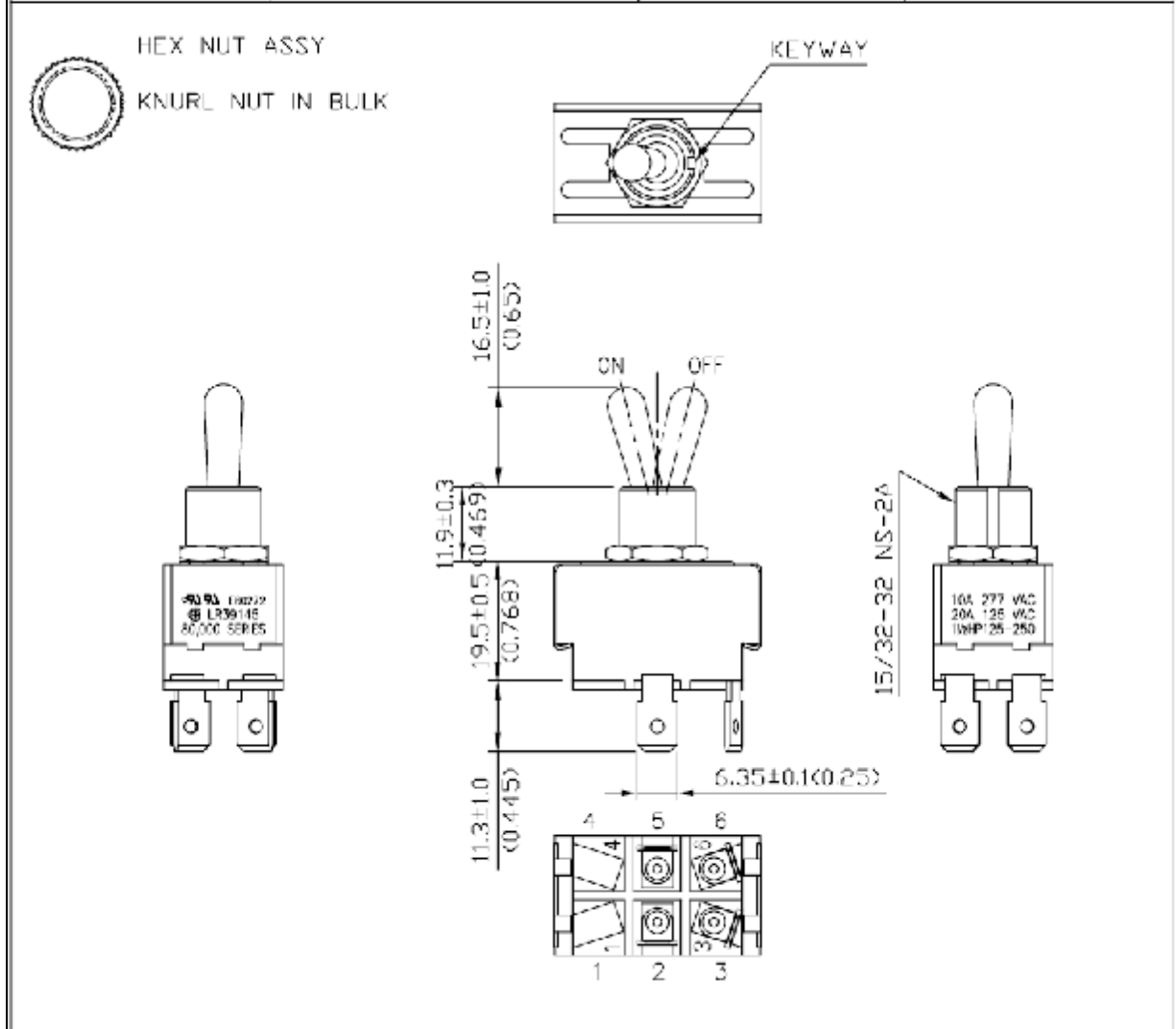


Part# 1-89642

Rating	10A 277VAC, 20A 125VAC 1½HP 125-250VAC		
Contact R	50m ohm Max.		
Insulation R	DC 500V 100M ohm Min.		
Dielectric Strength	AC 1500V 1 minute		
Circuit	4P DPST ON-OFF		
Operation Force	1200g±300g		



Unit	mm (inch)
------	--------------

SHOP ONLINE
OR BY PHONE AT 1-800-569-6130

PARTSEARCH
Enter Part Number