

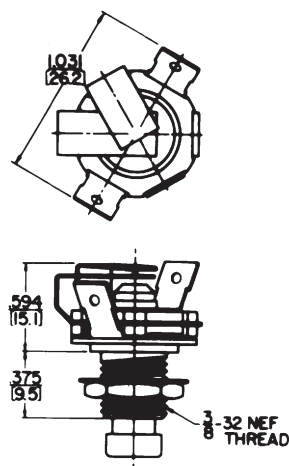
Littel-Switch® SWITCHES
SERIES 100, 100S, 200, 200S

PART NUMBERS

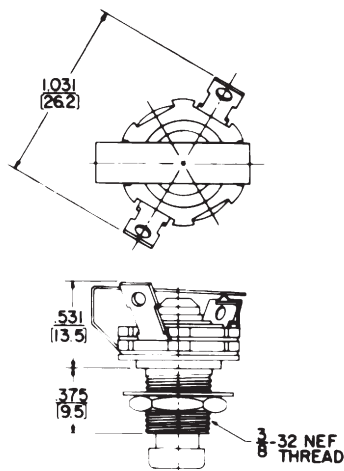
Pushbutton Color/Part Number		Circuit	Schematic
Red	Black		
101	201	1-A, SPST, (N.O.)	
◇ 101S	◇ 201S		
◇ 102	202		
◇ 102S	◇ 202S	1-B, SPST, (N.C.)	
103	203	1-C, SPDT	
◇ 103S	◇ 203S		

◇ Special order only; contact Switchcraft for price and delivery.
"S" at the end of part number indicates 3H rated fine silver contacts.

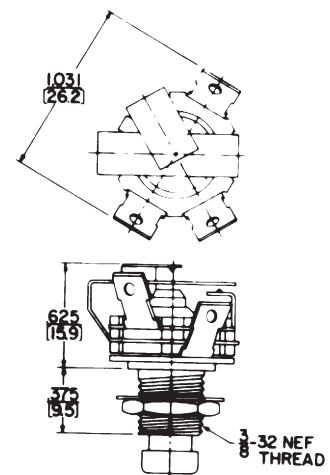
SPST (NO) 1-A



SPST (NC) 1-B



SPDT 1-C



DIMENSIONS ARE FOR REFERENCE ONLY $\frac{\text{Inch}}{\text{(mm)}}$