

Features

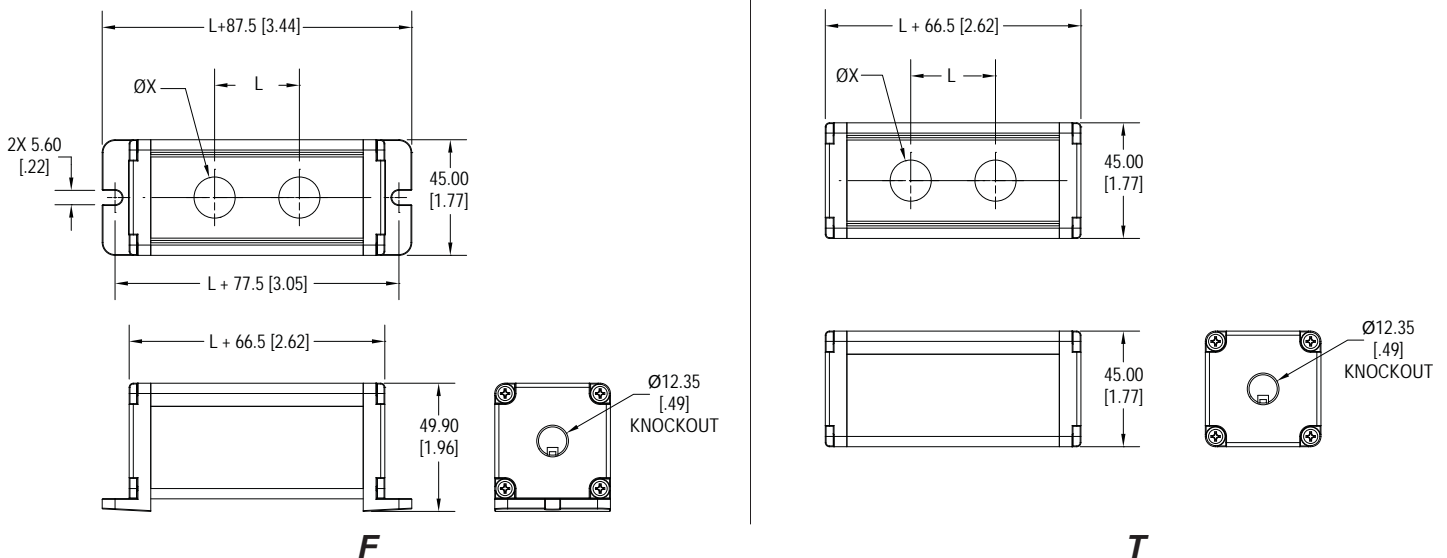
- ◆ Easy installation
- ◆ Multiple size options
- ◆ Aluminum housing



Ordering Information

1. Series	AVH	F	4	22
AVH				
2. Mounting Options: F = With mounting flange T = Without mounting flange				
3. Number of Positions: 1 = 1 position 2 = 2 positions 3 = 3 positions 4 = 4 positions 5 = 5 positions Contact Factory for custom sizes and number of positions				
4. Hole Size: 22 = 22mm diameter 25 = 25mm diameter				

Dimensions



For Info: www.switchesunlimited.com □ sales@switchesunlimited.com
Phone: 800-221-0487 □ Fax: 718-672-6370