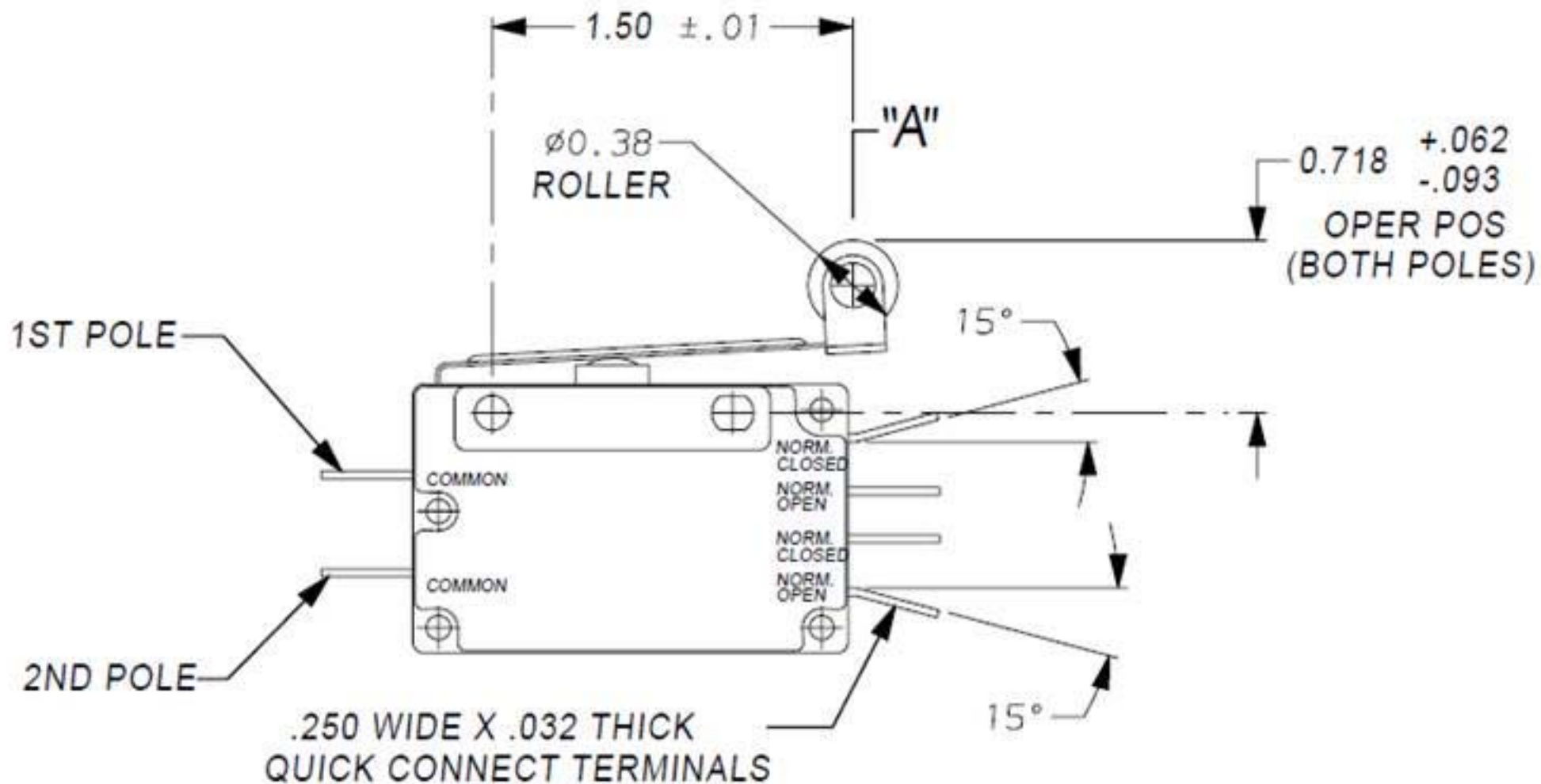


1ST POLE TO OPERATE BEFORE 2ND POLE.



### SWITCH CHARACTERISTICS

OPER FORCE MAX OZ	18	
RELEASE FORCE MIN OZ	2	
DIFF TRAVEL MAX IN.	.094	PER POLE
PRETRAVEL MAX IN.	.281	1ST POLE
OVERTRAVEL MIN IN.	.062	2ND POLE

M	DESCRIPTION	DATE
	AD01898	11/18/93